

ATLAS

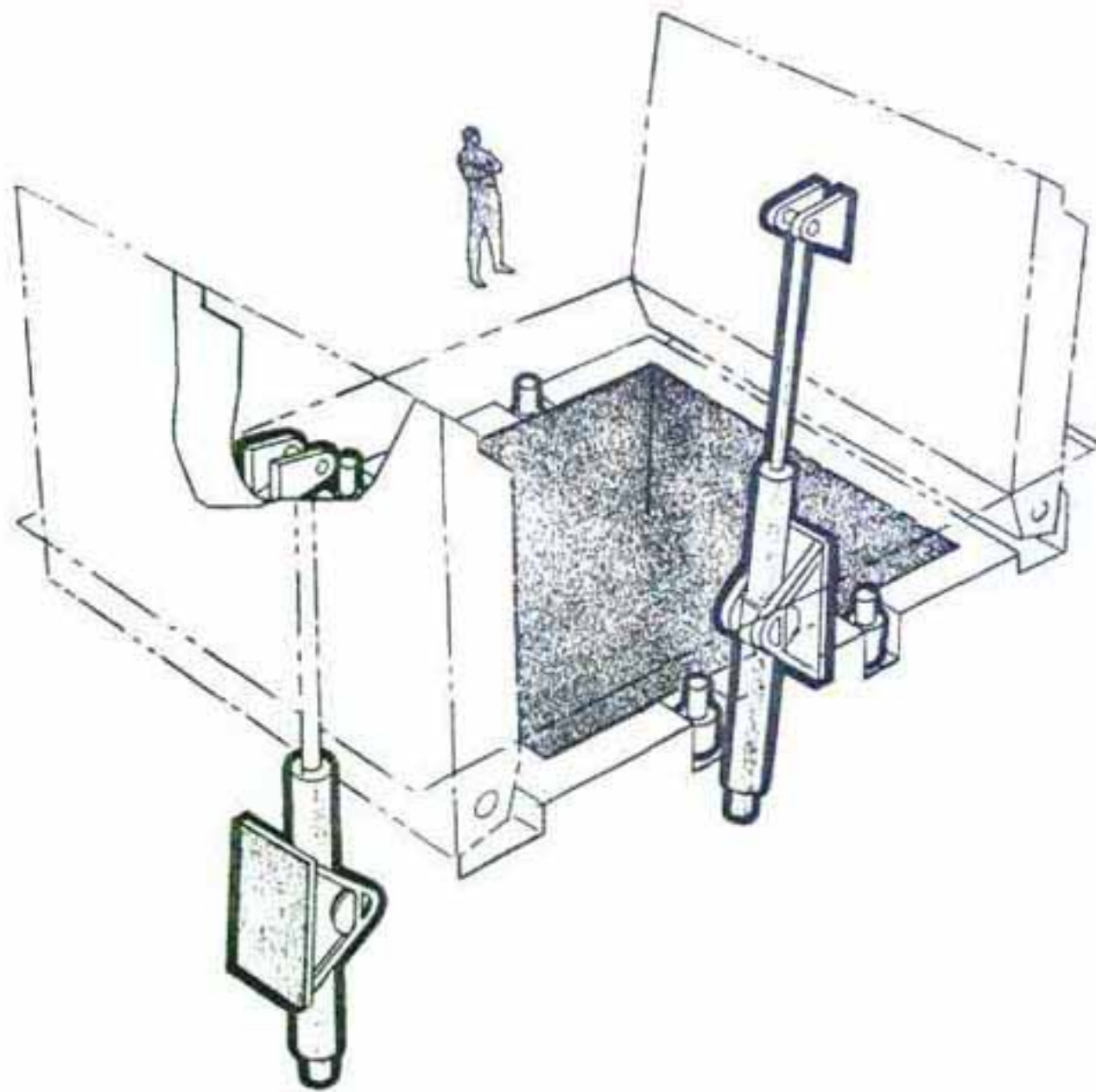


MISSILE

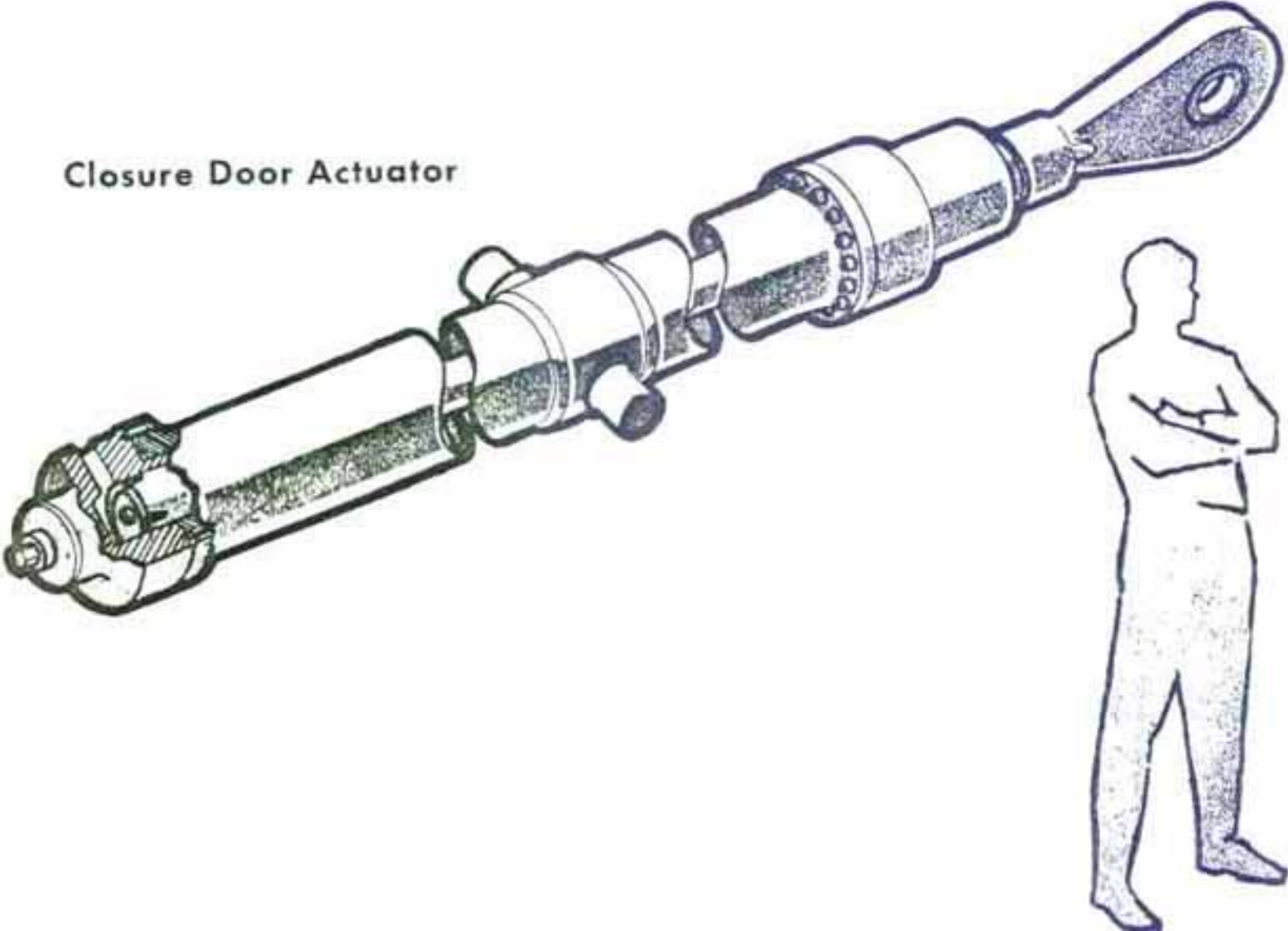


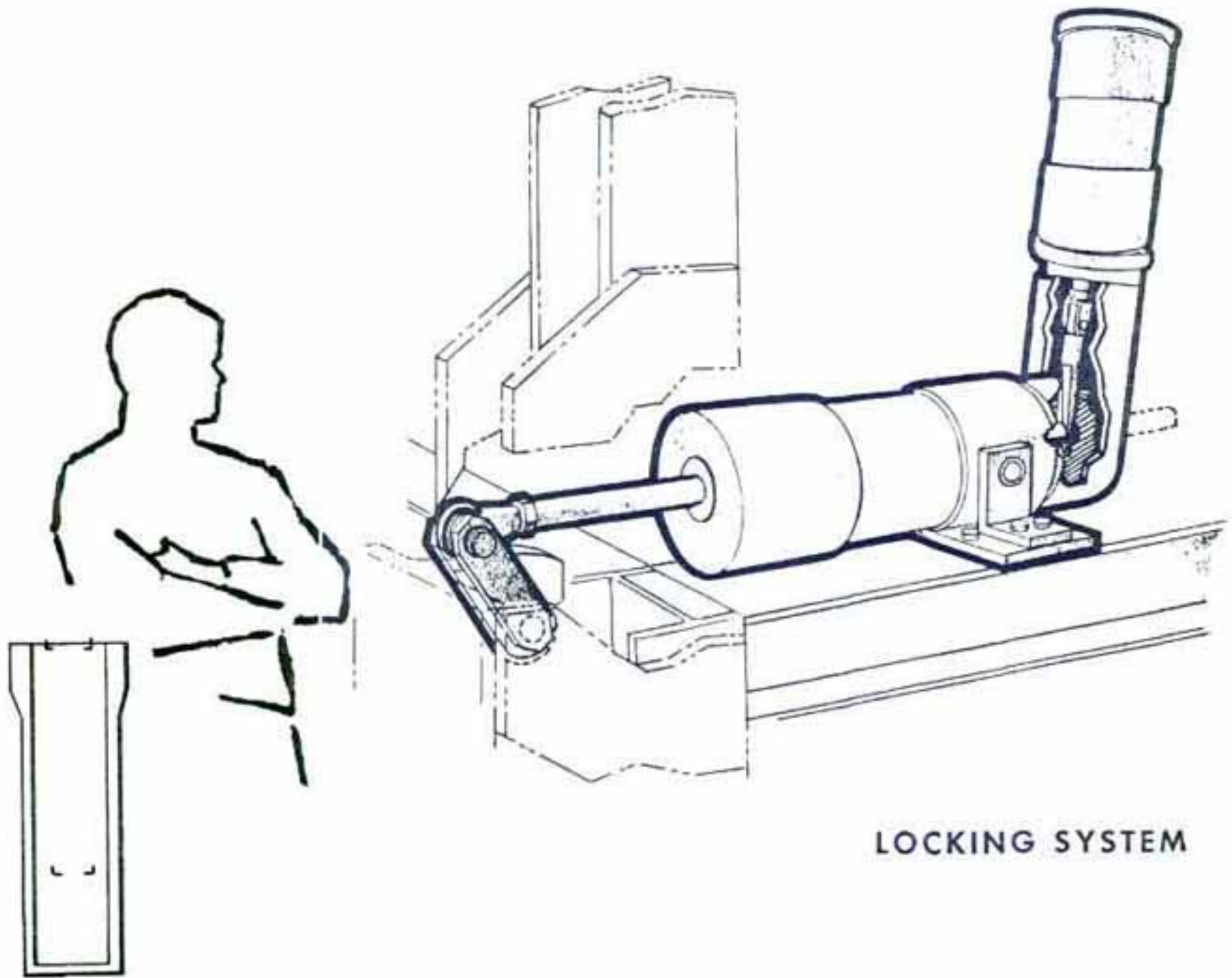
CONVAIR (ASTRONAUTICS) DIVISION  
GENERAL DYNAMICS CORPORATION

## CLOSURE DOOR ACTUATION SYSTEM

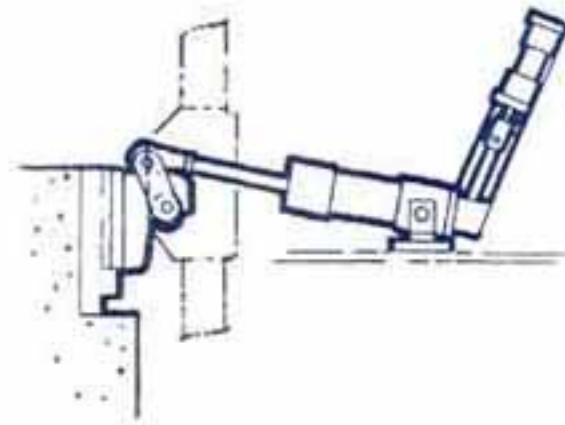
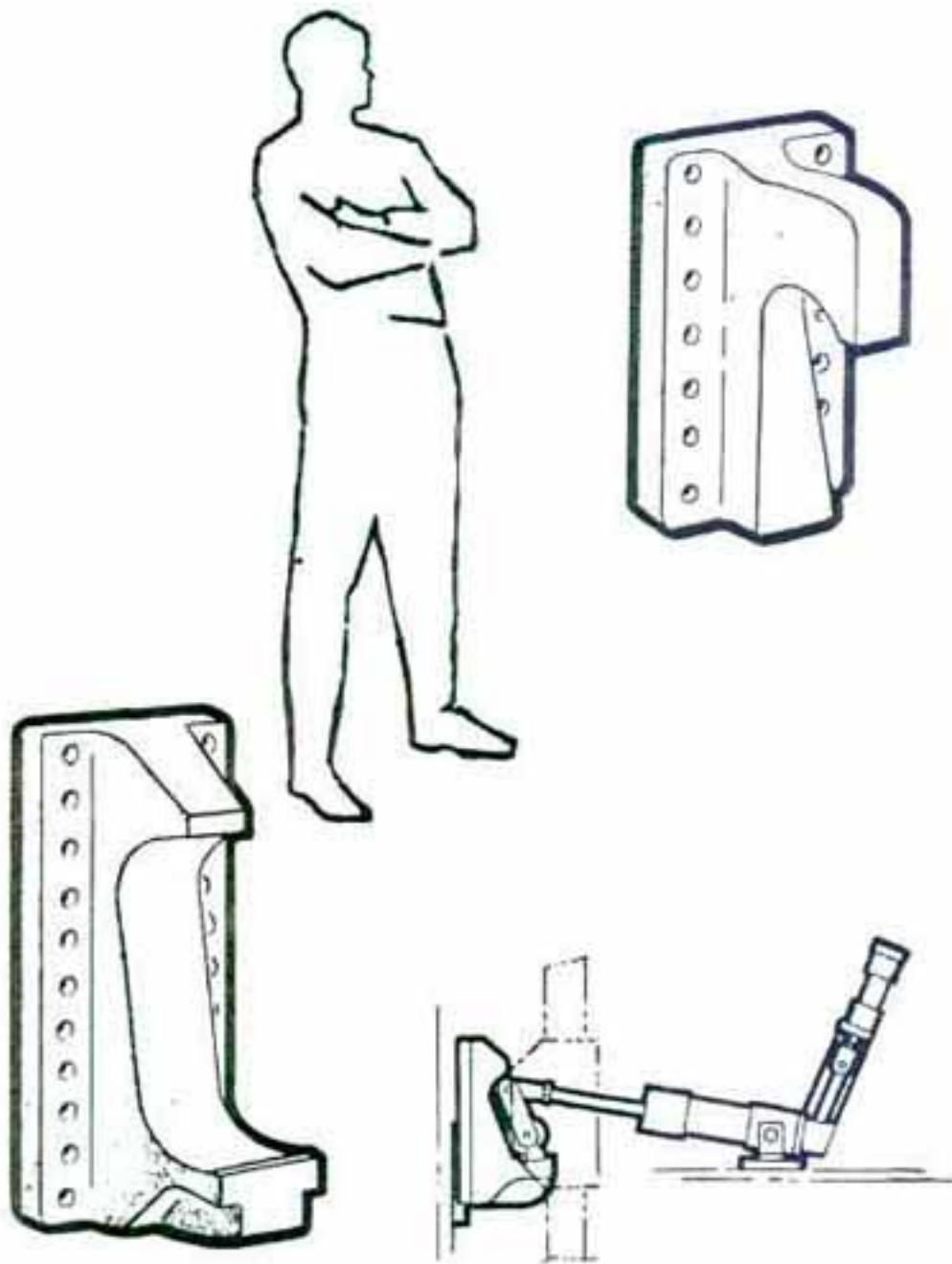


Closure Door Actuator





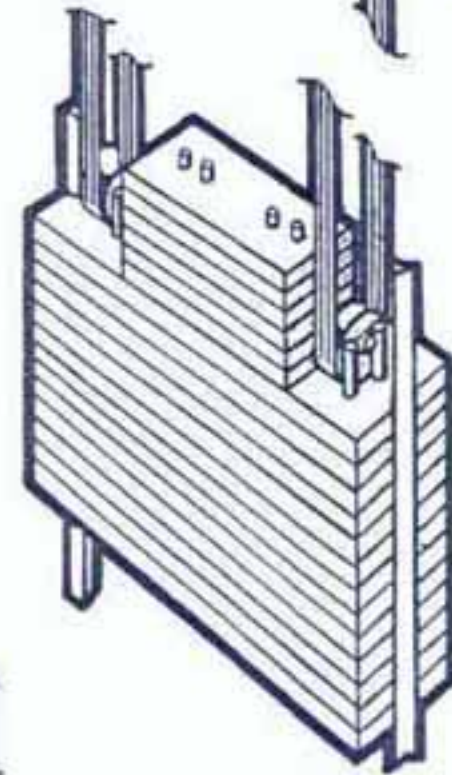
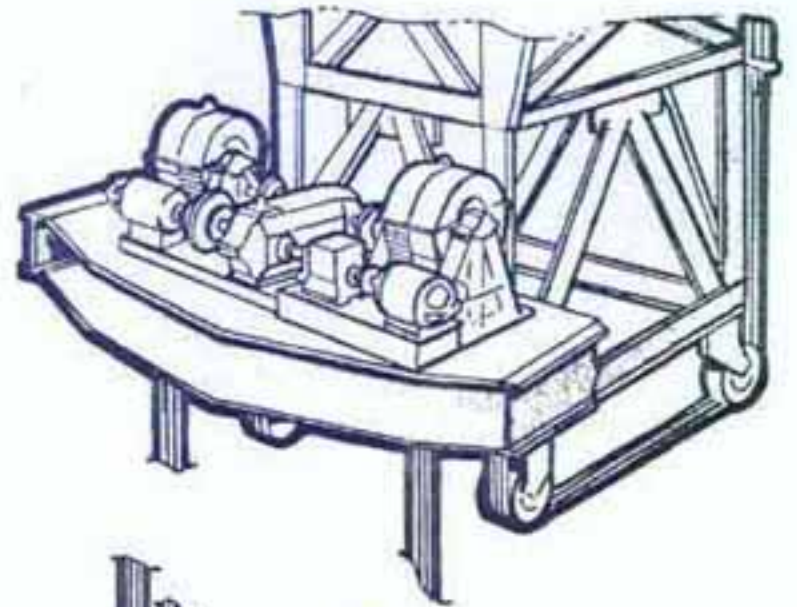
LOCKING SYSTEM



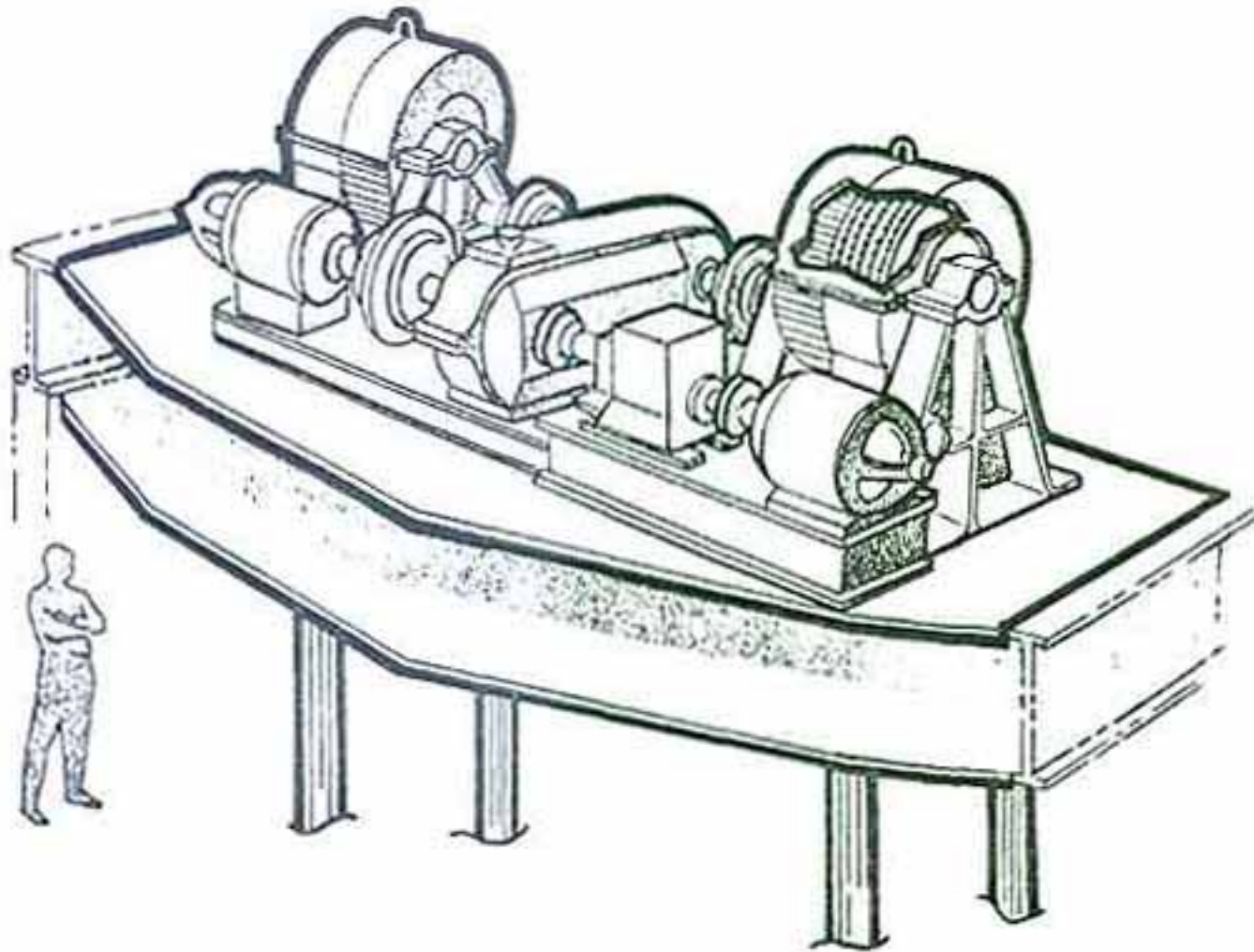
**Locking System Strikers**

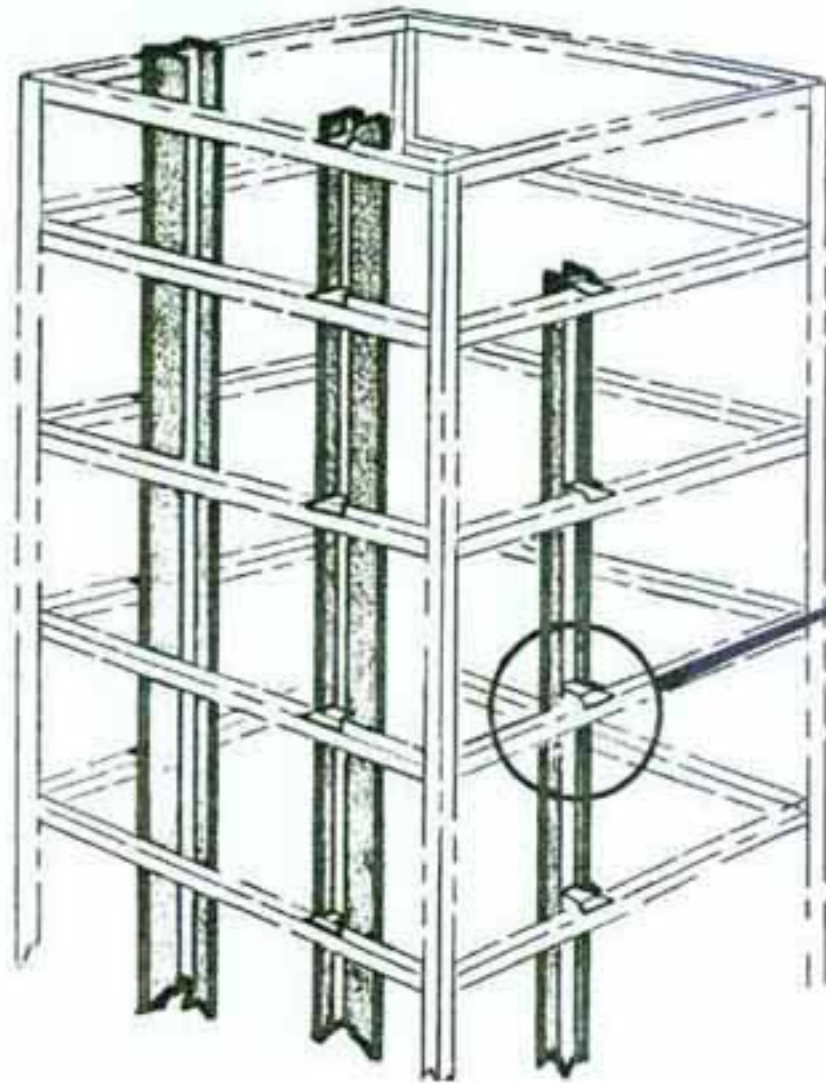


# LAUNCHER PLATFORM DRIVE SYSTEM



## Launcher Platform Drive and Base Assembly



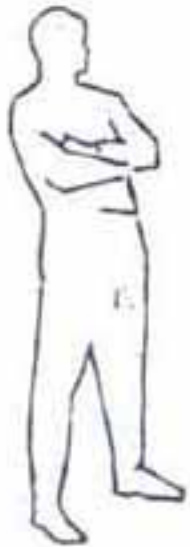
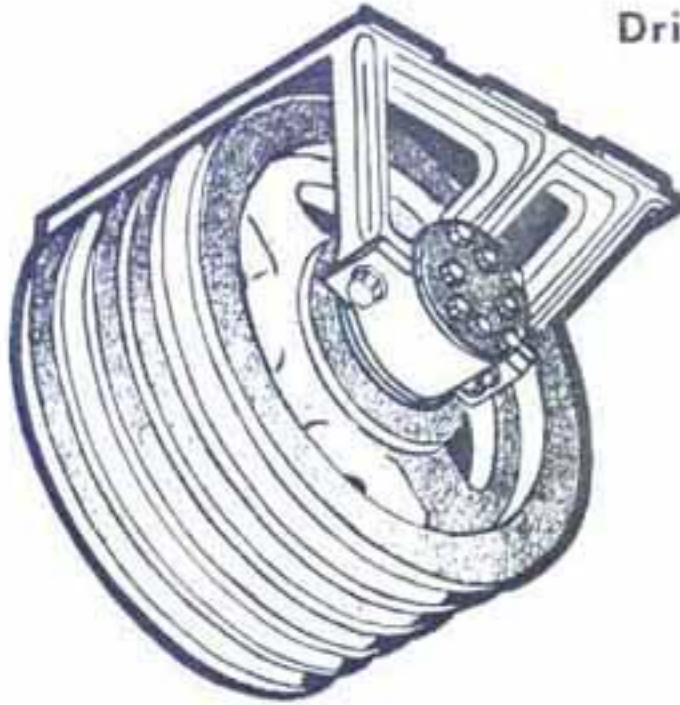


Launcher Platform Guide Rails

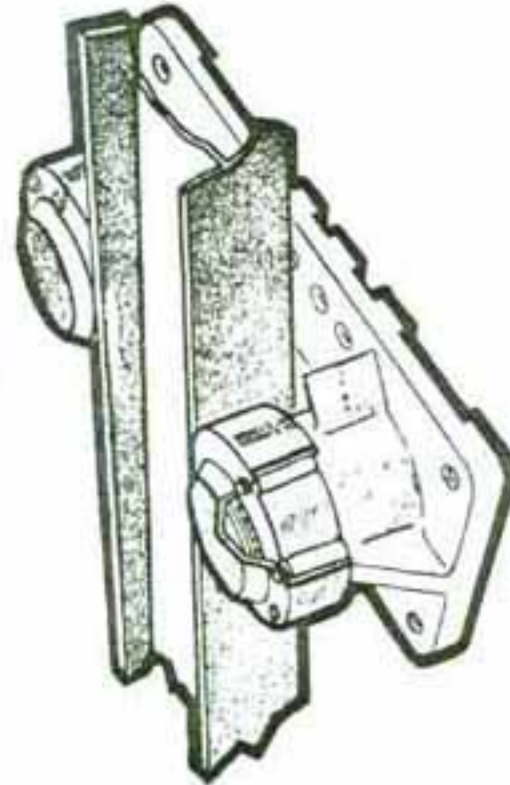




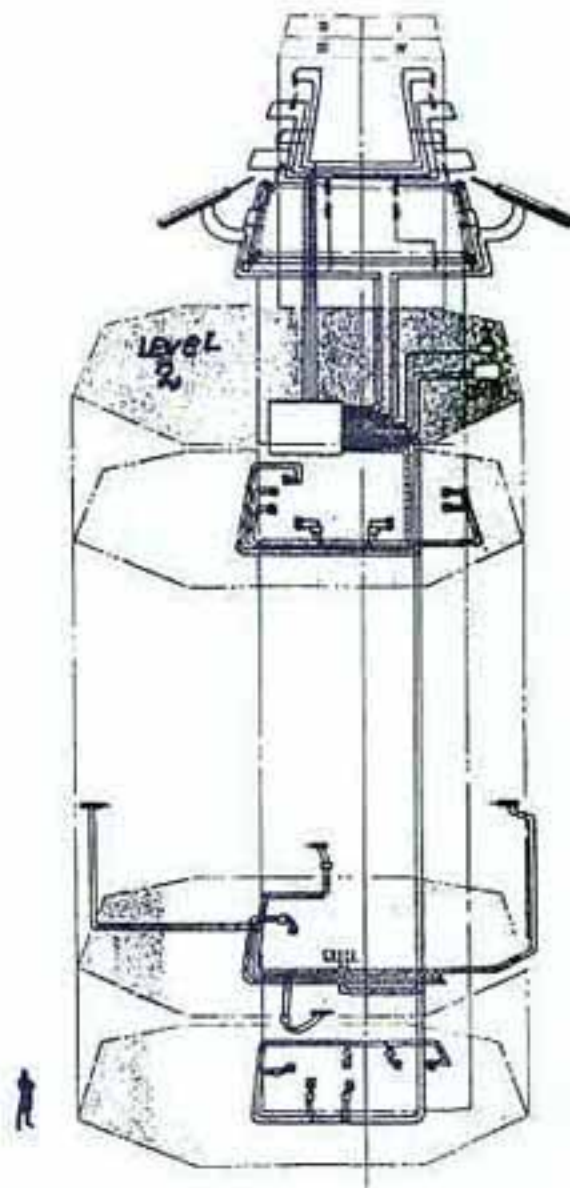
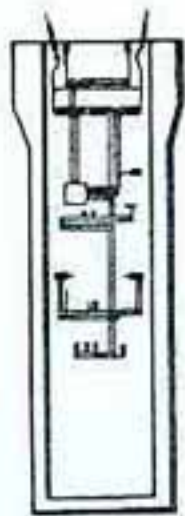
**Drive System Idler Sheave**



**Launcher Platform Guide Rail Rollers**



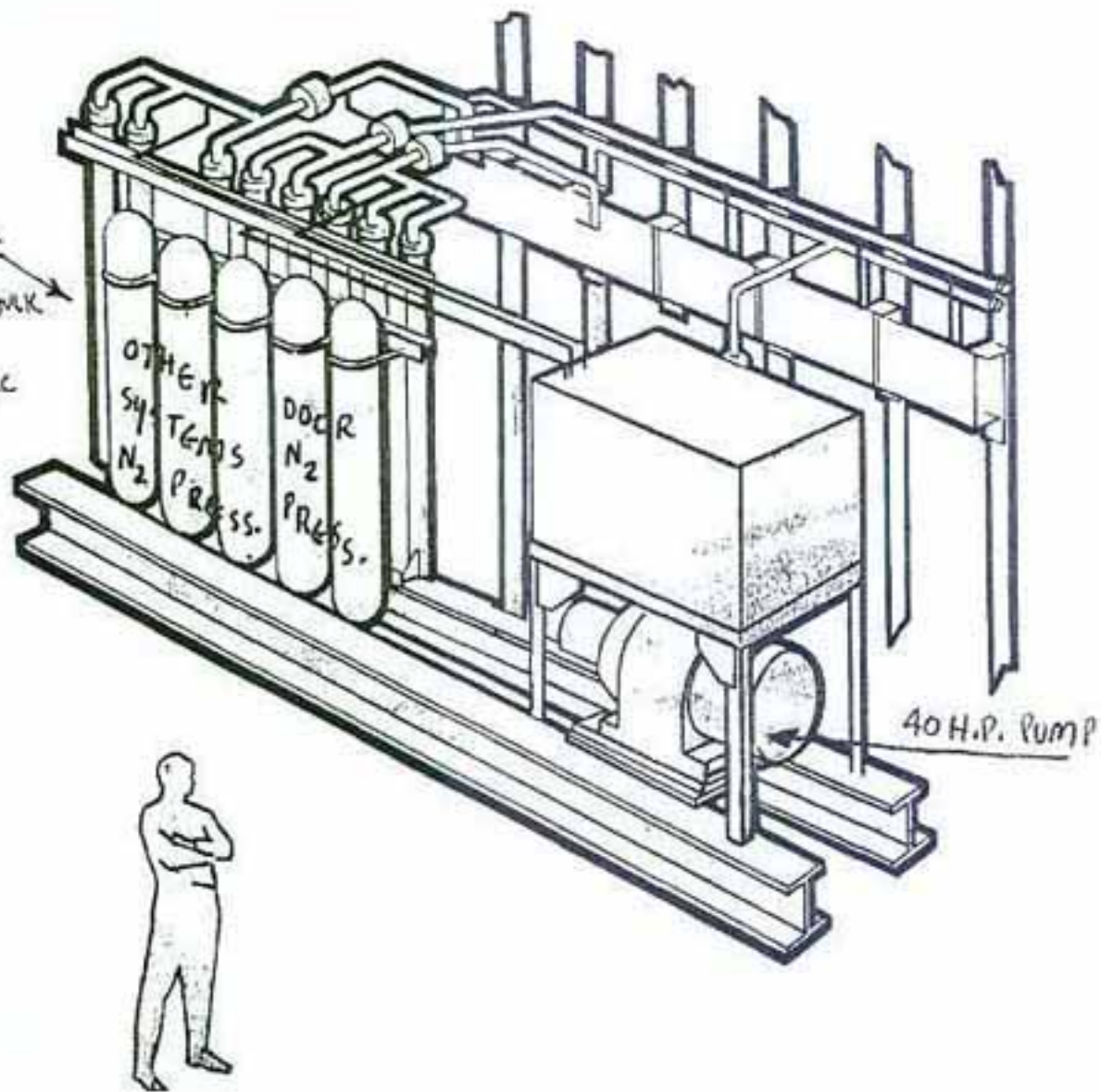
# HYDRAULIC SYSTEM



NITROGEN (N<sub>2</sub>)  
ACCUMULATOR BANK

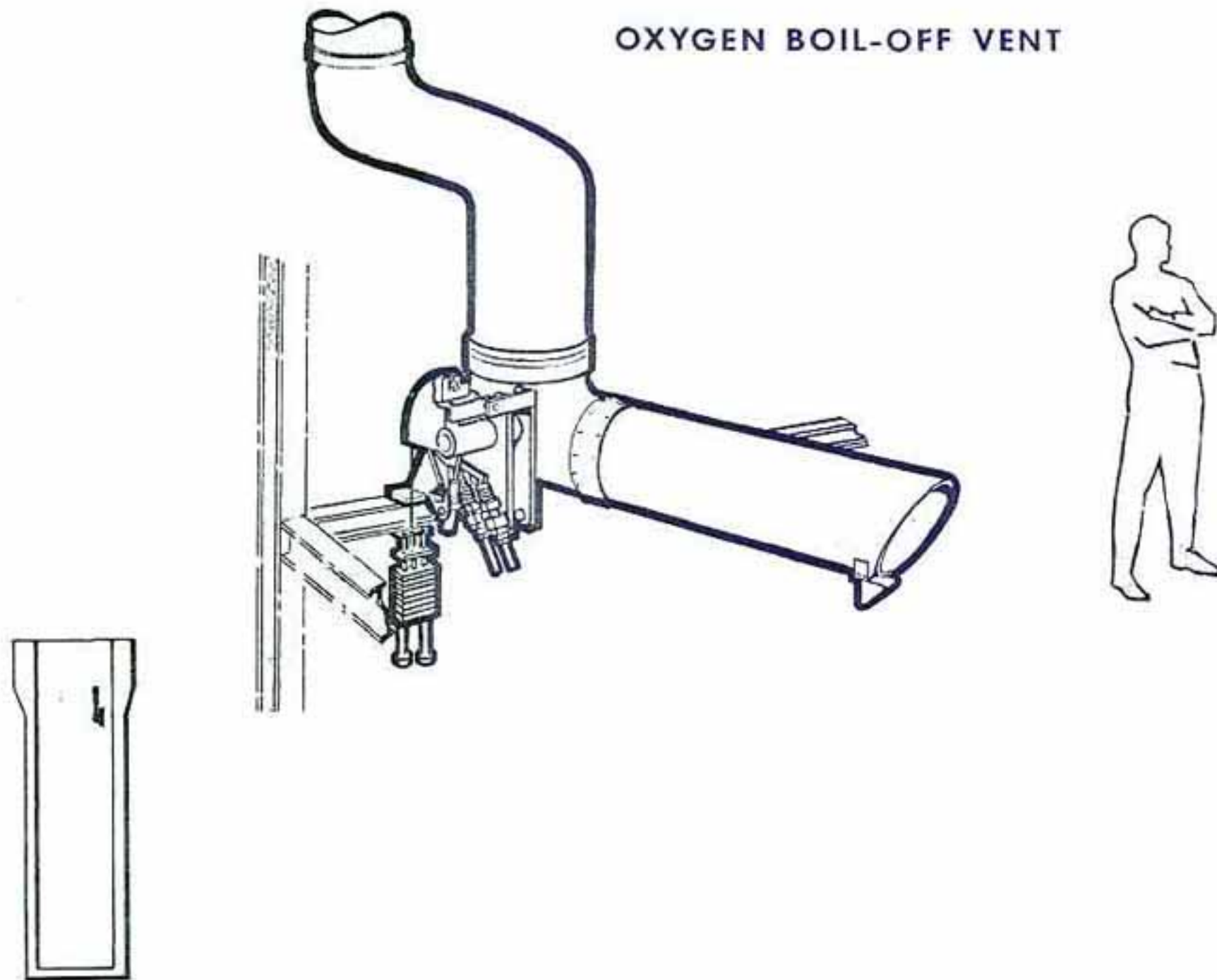
1ST 3 FOR "OTHER" HYDRAULIC  
SYSTEMS

LAST 2 FOR DOOR HYDRAULIC  
SYSTEM



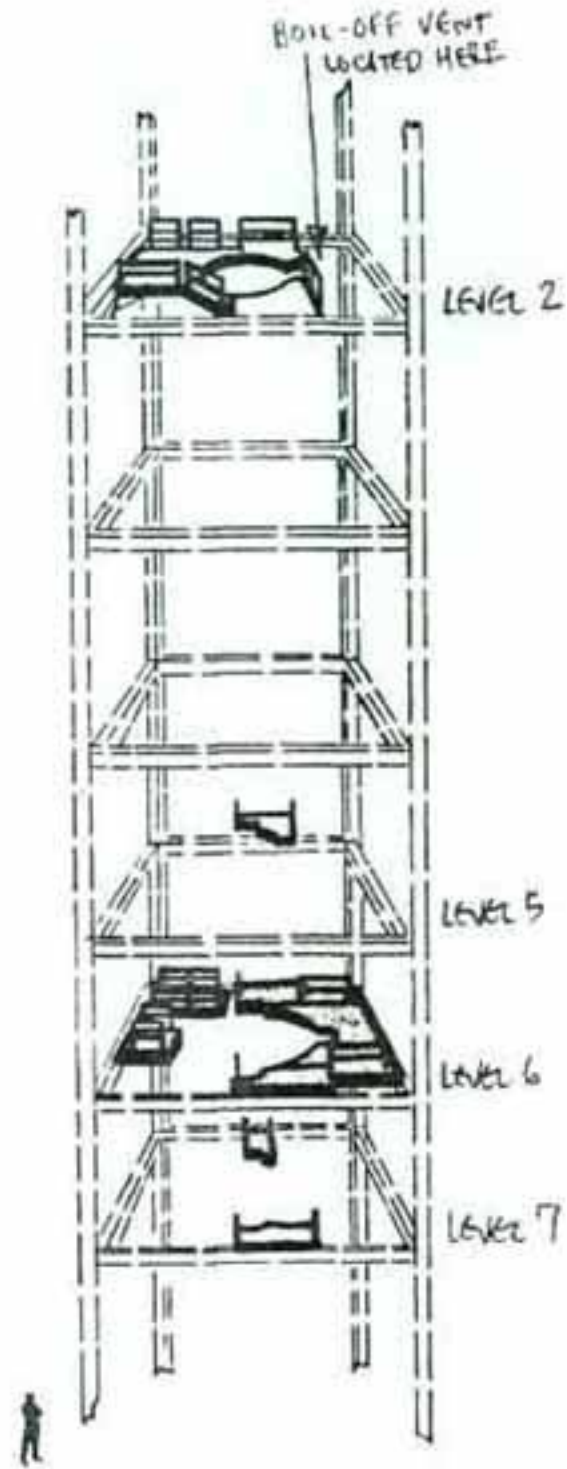
Hydraulic System Power Pack

OXYGEN BOIL-OFF VENT

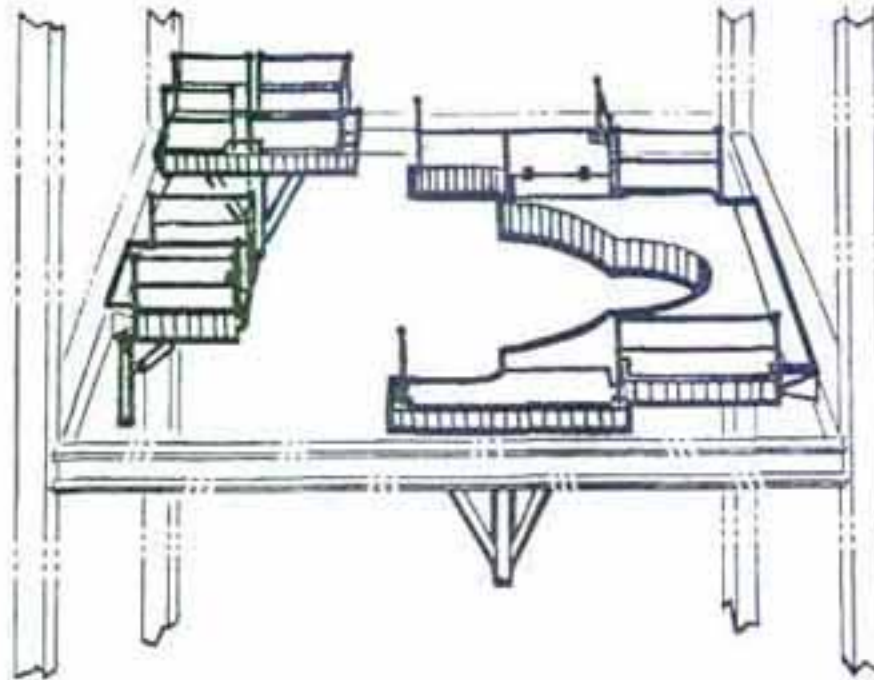




# WORK PLATFORM SYSTEM



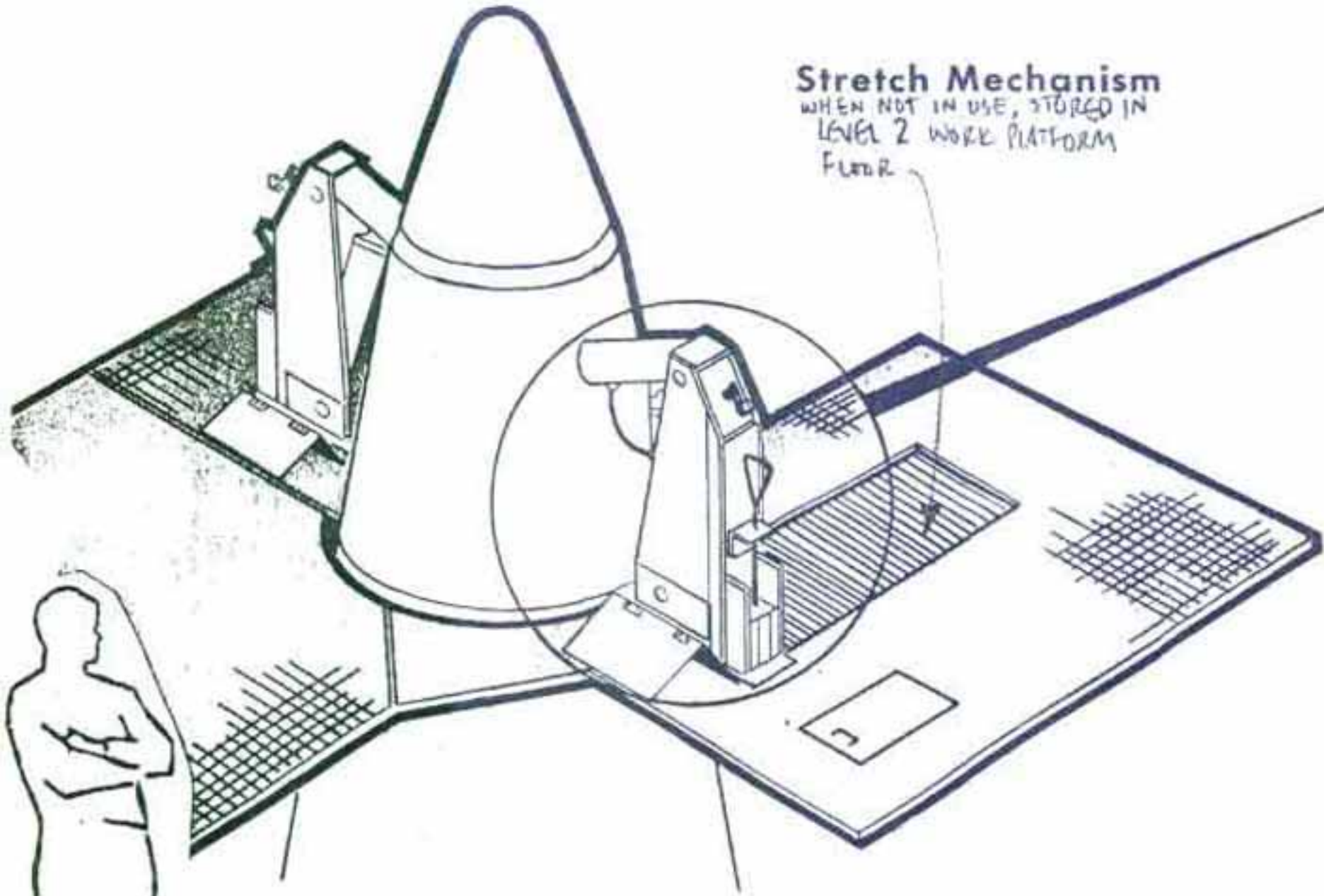
**Work Platform (Typical)**  
(LEVEL 6)



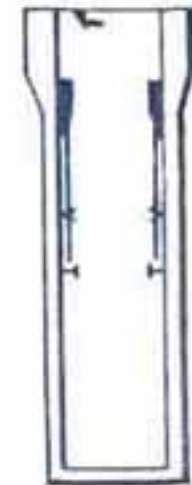
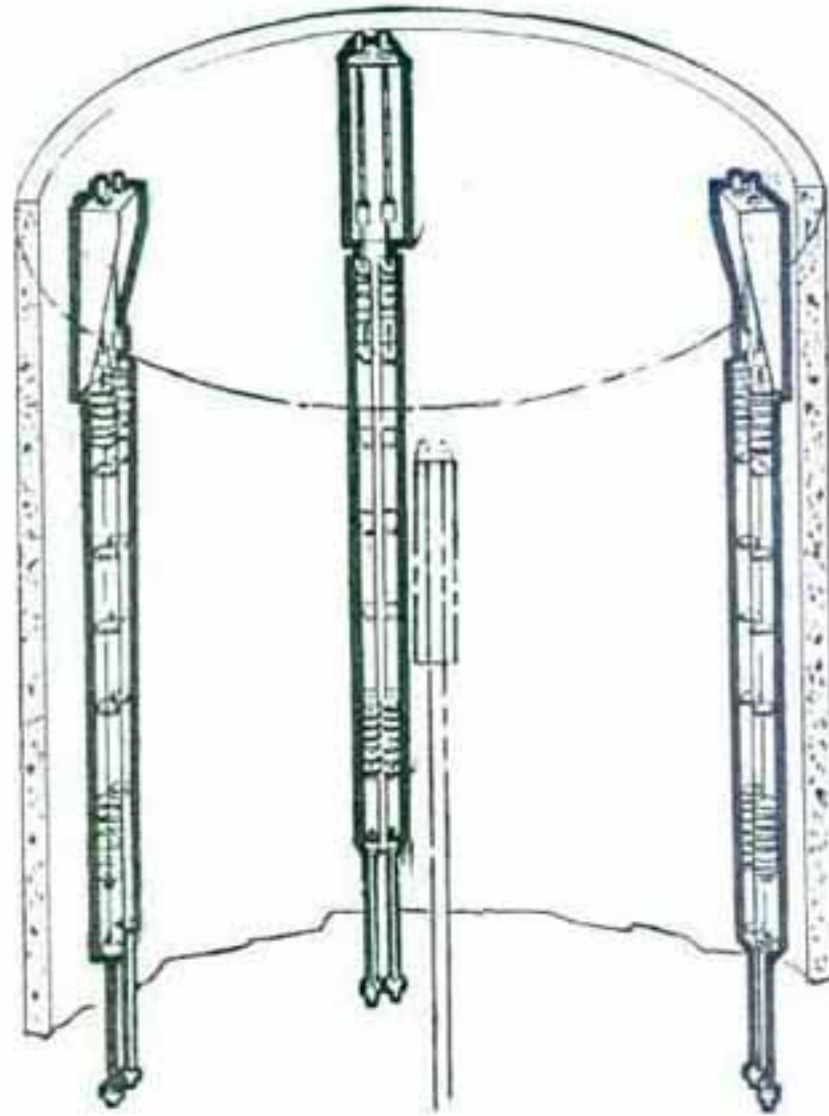
**Stretch Mechanism**  
WHEN NOT IN USE, STORED IN  
LEVEL 2 WORK PLATFORM  
FLOOR



HAND  
CRANK

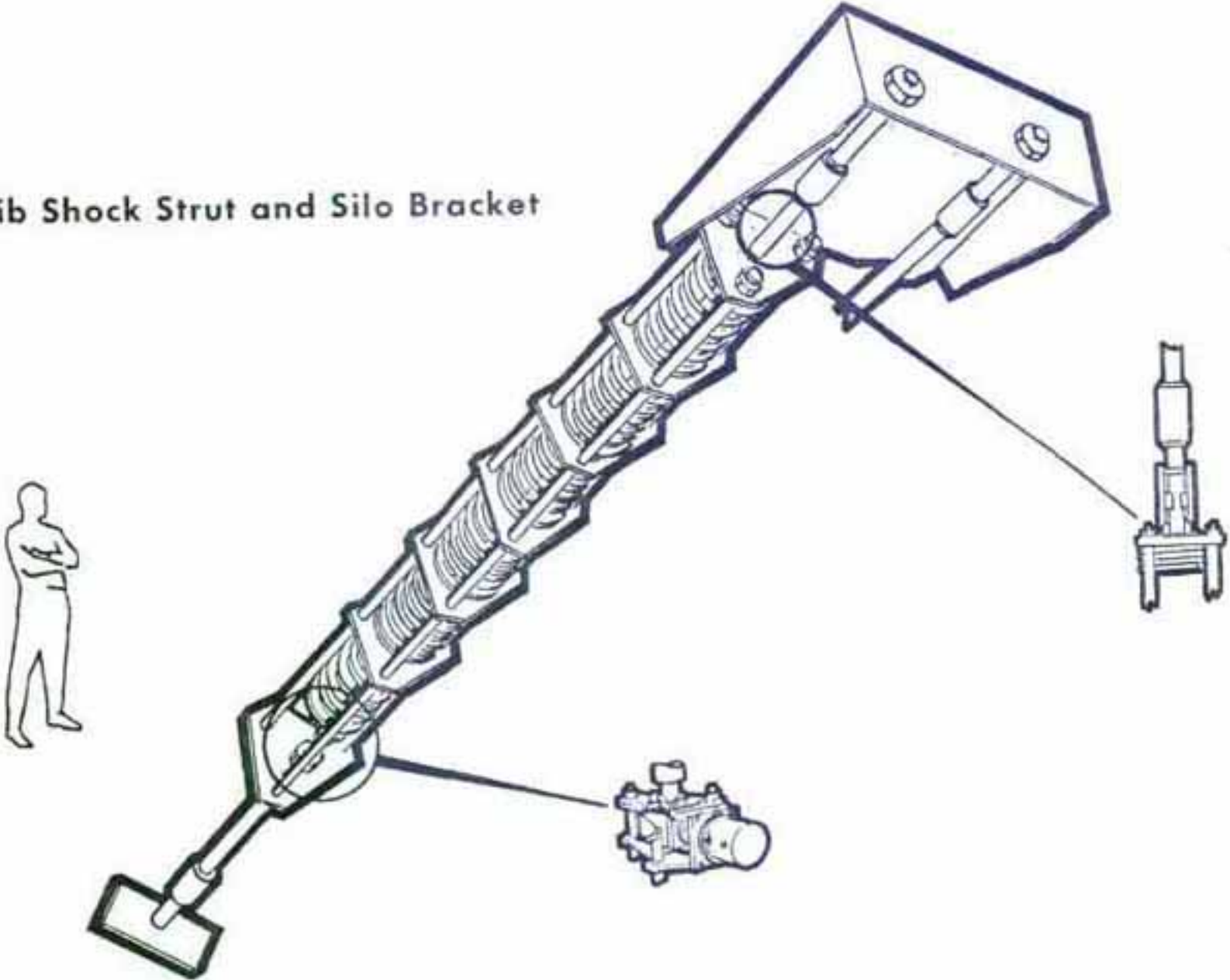


# CRIB SUSPENSION SYSTEM

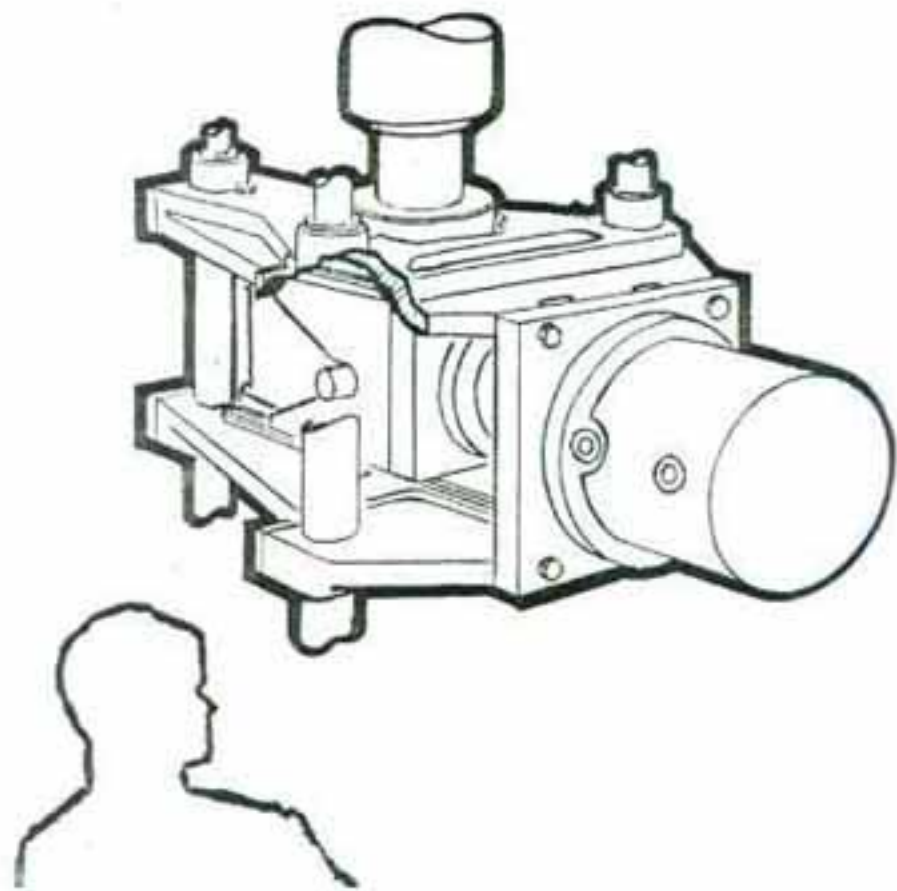




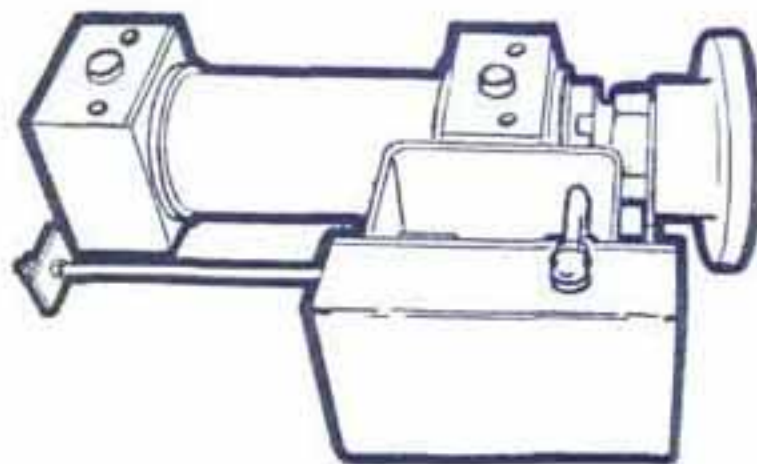
Crib Shock Strut and Silo Bracket



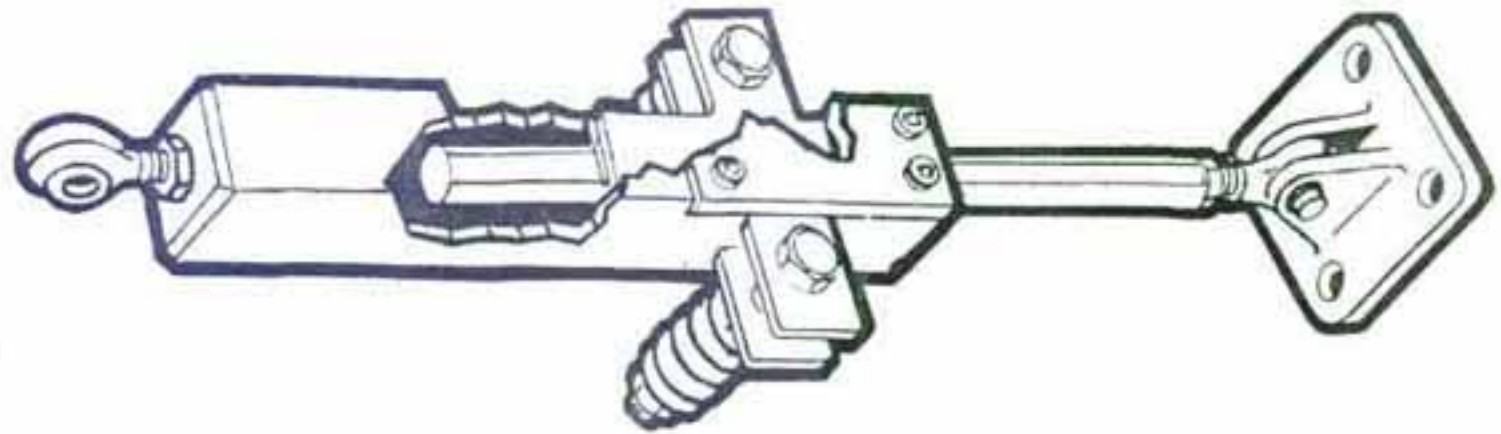
Vertical Lock



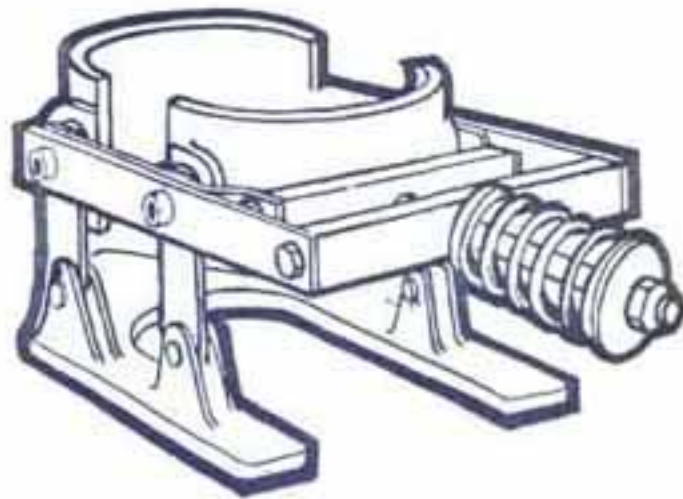
Horizontal Lock



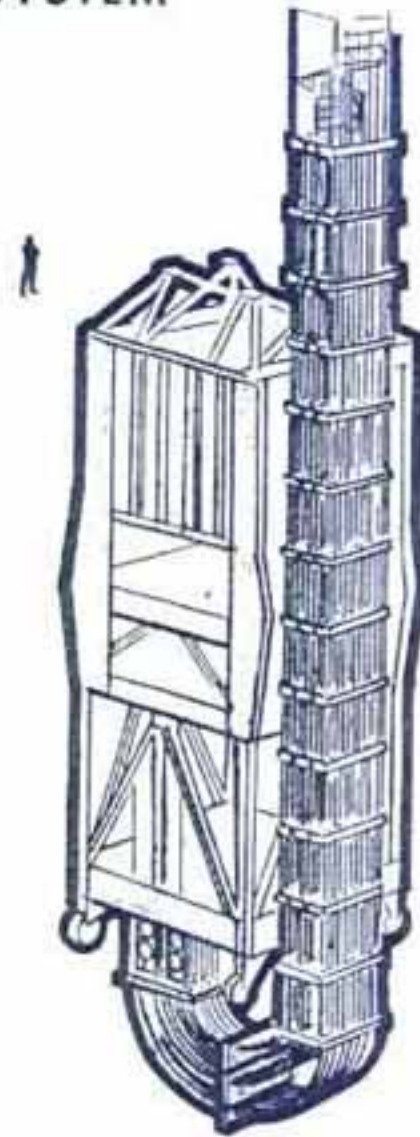
Horizontal Damper



Vertical Damper

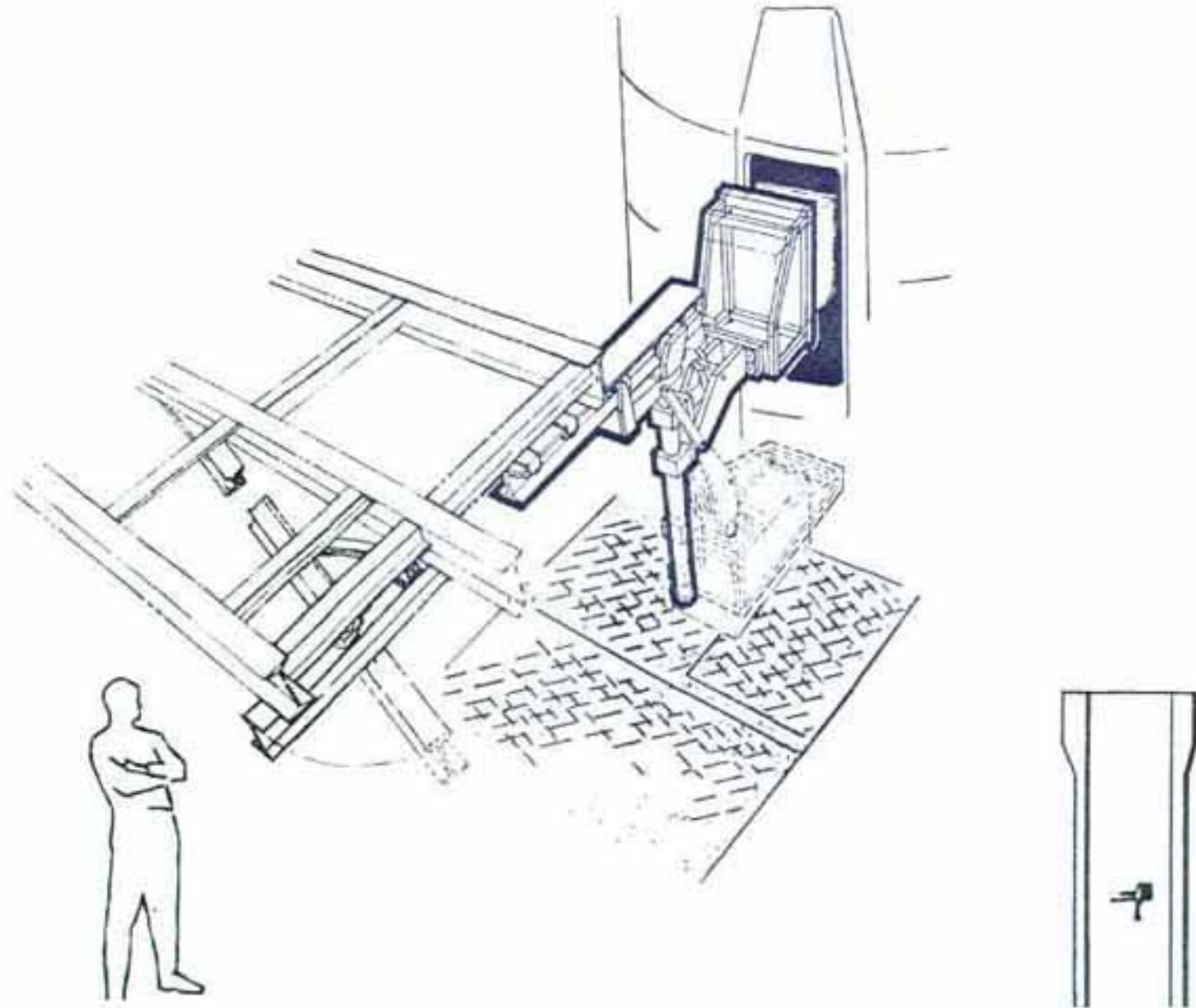


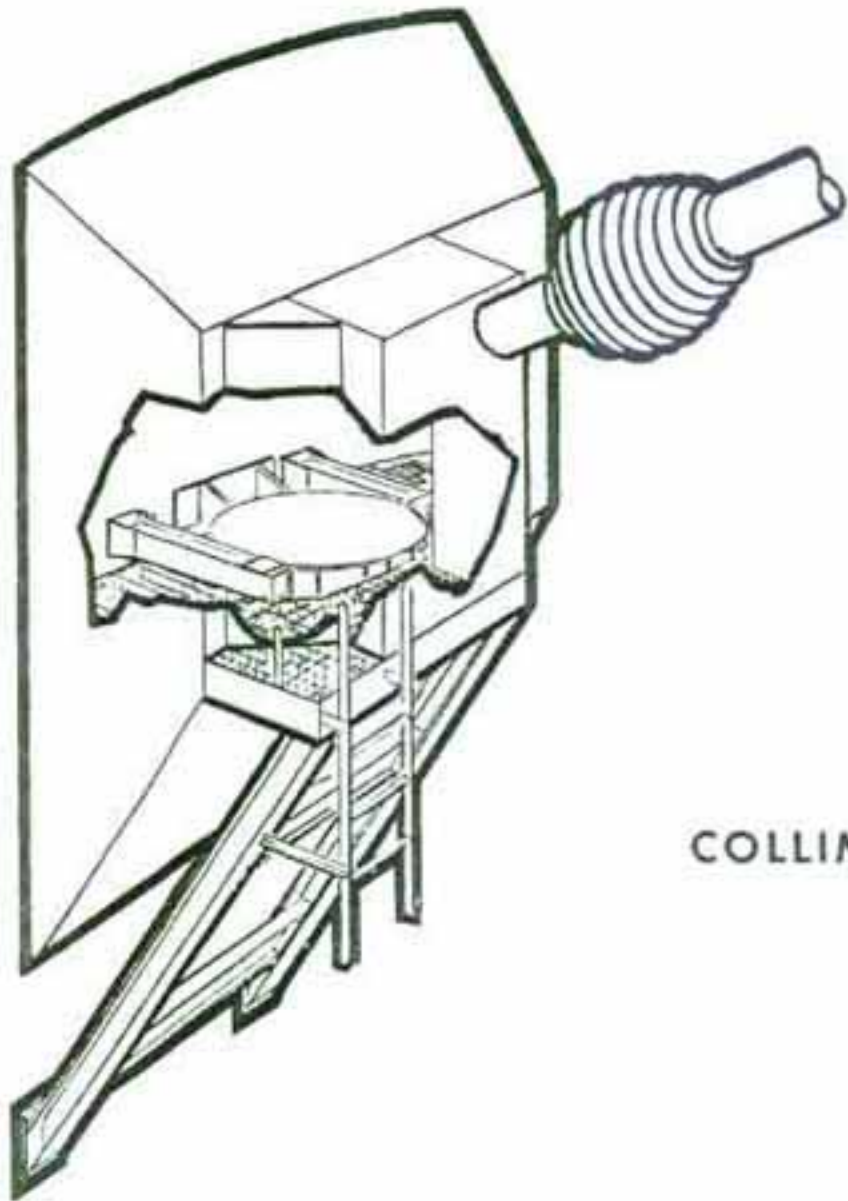
# UMBILICAL SYSTEM





# GUIDANCE POD HANDLING FIXTURE



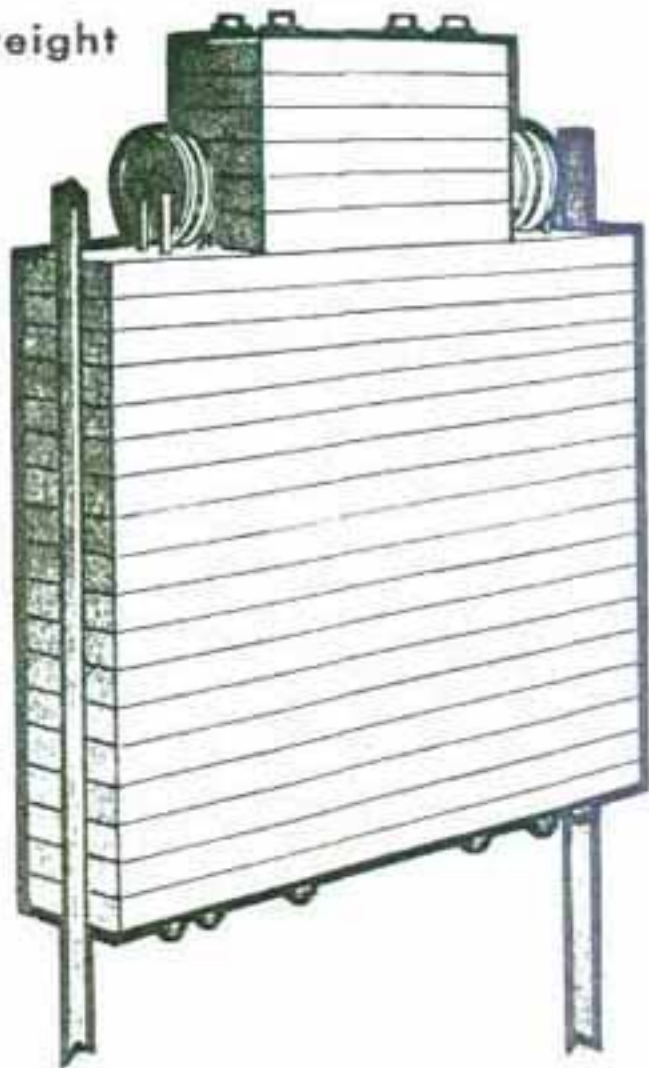


COLLIMATOR SYSTEM



Drive System

Counterweight



Drive System Cable

Tension Equalizer

