

A PAPER REPRODUCIBLE OR 105 MM. FILM "RECORD COPY" MUST BE MADE BEFORE EVERY ADDENDA AND/OR MODIFICATION

ADDENDA NO.	
DATE	
MODIFICATION	
DATE	

REVISIONS

NO.	DATE	DESCRIPTION
1	12-25-60	REVISED TO SHOW "AS BUILT" CONDITION
2	1-22-61	REVISED IN ACCORDANCE WITH ADD. NO. 1

U. S. ARMY ENGINEER DISTRICT, OMAHA
CORPS OF ENGINEERS
OMAHA, NEBRASKA

APPROVED: *[Signature]* DATE: 7 April 1961
BY: *[Signature]*
TITLE: *[Signature]*

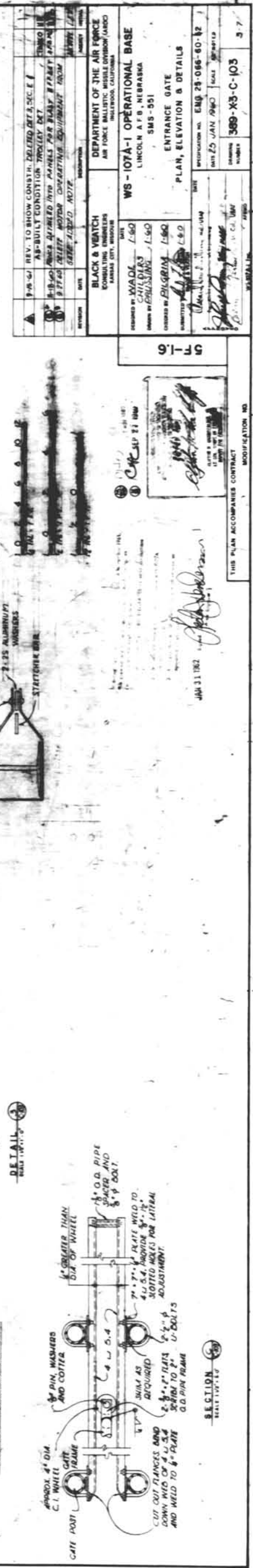
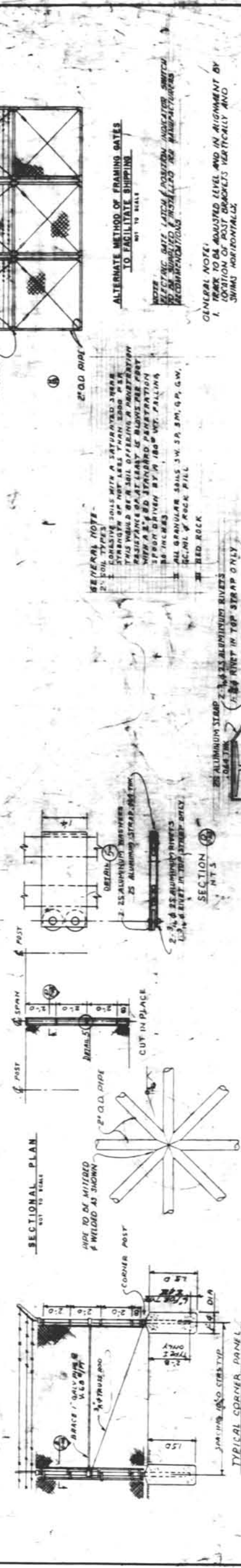
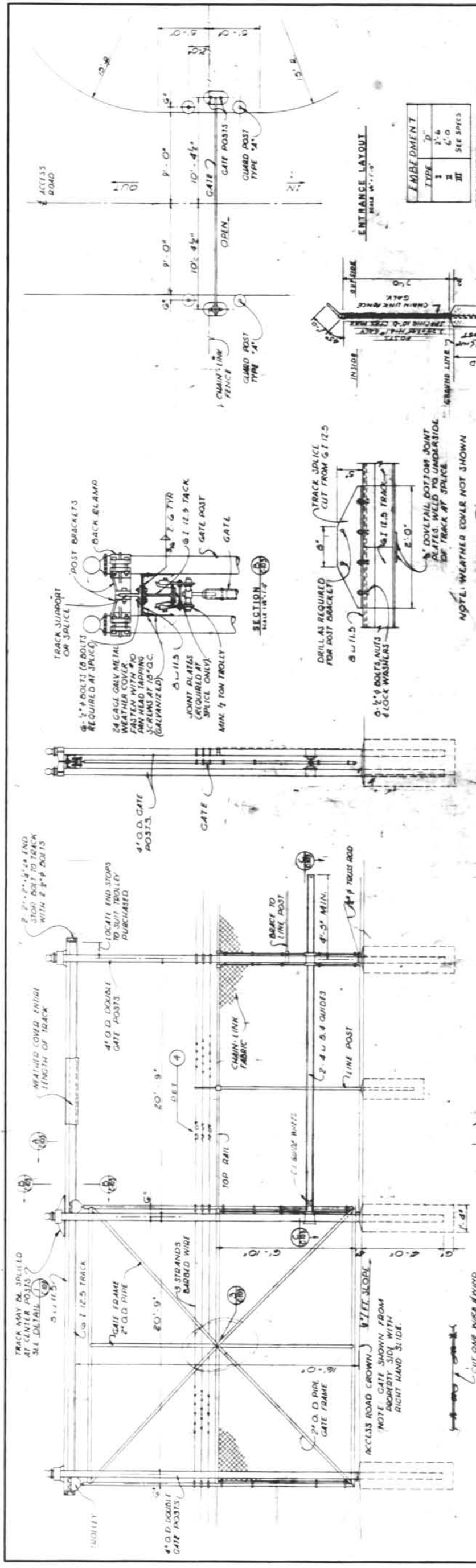
SCALE AS SHOWN: 1" = 4 MILES
DRAWING NUMBER: AW 16-06-108
SHEET: 1



SCALE 1 INCH = 4 MILES

THIS PLAN ACCOMPANIES CONTRACT NO. DA-25-066
MODIFICATION NO.

ELEVATION THROUGH REFERENCE AXIS



CO 463B

EMBEDMENT	
TYPE	D
1	2'-4"
2	4'-0"
3	SEC SPICES

GENERAL NOTE 1.
TRACK TO BE ADJUSTED LEVEL AND IN ALIGNMENT BY LOCATION OF POST BRACKETS VERTICALLY AND SWING HORIZONTALS.

ALTERNATE METHOD OF FRAMING GATES TO FACILITATE SHIPPING.

NOTE: ELECTRIC GATE LATCH POSITION INDICATED SWITCH TO BE SUPPLIED & INSTALLED BY MANUFACTURERS RECOMMENDATIONS.

GENERAL NOTE:
1. TRACK TO BE ADJUSTED LEVEL AND IN ALIGNMENT BY LOCATION OF POST BRACKETS VERTICALLY AND SWING HORIZONTALS.

GENERAL NOTE:
2. SOIL TYPES
CONCRETE SOILS WITH A SATURATED WATER STRAINING OF NOT LESS THAN 2000 P.S.F. THIS WOULD BE SOIL OFFERING A RESISTANCE VIEW A 2" STD STANDARD PENETRATION SPONGE DRIVEN BY A 180# WT. FALLING 25 INCHES
3. ALL GRANULAR SOILS 3/4" SP. SM, G.P., G.W., E.C. AND ROCK FILL
4. BED ROCK

GENERAL NOTE:
1. TRACK TO BE ADJUSTED LEVEL AND IN ALIGNMENT BY LOCATION OF POST BRACKETS VERTICALLY AND SWING HORIZONTALS.

GENERAL NOTE:
2. SOIL TYPES
CONCRETE SOILS WITH A SATURATED WATER STRAINING OF NOT LESS THAN 2000 P.S.F. THIS WOULD BE SOIL OFFERING A RESISTANCE VIEW A 2" STD STANDARD PENETRATION SPONGE DRIVEN BY A 180# WT. FALLING 25 INCHES
3. ALL GRANULAR SOILS 3/4" SP. SM, G.P., G.W., E.C. AND ROCK FILL
4. BED ROCK

GENERAL NOTE:
1. TRACK TO BE ADJUSTED LEVEL AND IN ALIGNMENT BY LOCATION OF POST BRACKETS VERTICALLY AND SWING HORIZONTALS.

GENERAL NOTE:
2. SOIL TYPES
CONCRETE SOILS WITH A SATURATED WATER STRAINING OF NOT LESS THAN 2000 P.S.F. THIS WOULD BE SOIL OFFERING A RESISTANCE VIEW A 2" STD STANDARD PENETRATION SPONGE DRIVEN BY A 180# WT. FALLING 25 INCHES
3. ALL GRANULAR SOILS 3/4" SP. SM, G.P., G.W., E.C. AND ROCK FILL
4. BED ROCK

DEPARTMENT OF THE AIR FORCE
AIR FORCE BALLISTIC MISSILE DIVISION (ARMO)

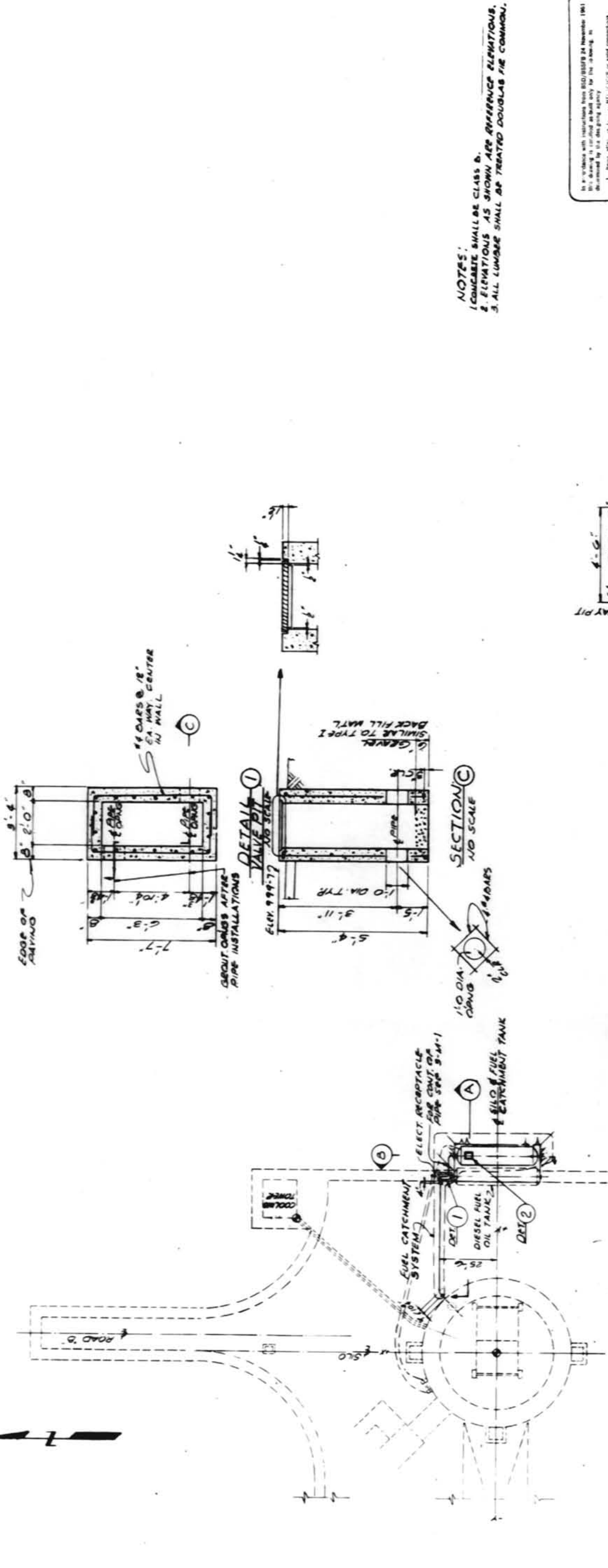
WS-107A-1 OPERATIONAL BASE
LINCOLN AFB, NEBRASKA
SMS-551

ENTRANCE GATE
PLAN, ELEVATION & DETAILS

DATE: 25 JAN 1960
SCALE: 3/8" = 1'-0"

369-X3-C-103

3-7



NOTES:
 1. CONCRETE SHALL BE CLASS B.
 2. ELEVATIONS AS SHOWN ARE REFERENCE ELEVATIONS.
 3. ALL LUMBER SHALL BE TREATED DOUGLAS FIR COMMON.

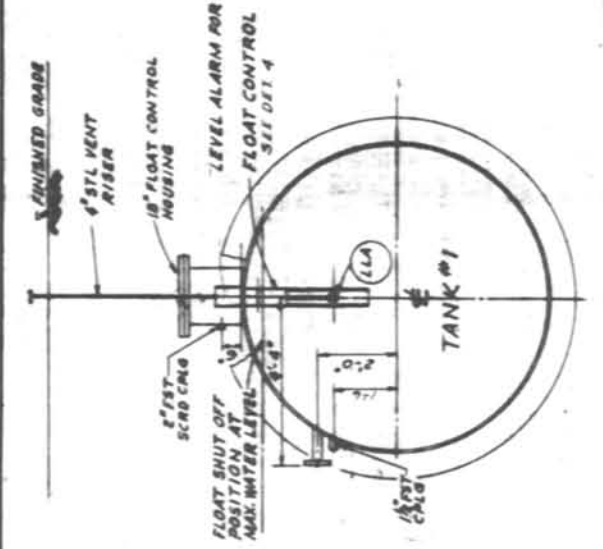
In accordance with instructions from BLD/BSO/9/24 November 1961 this drawing is certified as being only for the use of the Government and is not to be used for any other purpose without the written consent of the Government.
 1. REVISIONS: 1. 11/24/61 - M.L. (11/24/61) - M.L. (11/24/61) - M.L. (11/24/61)
 2. 11/24/61 - M.L. (11/24/61) - M.L. (11/24/61) - M.L. (11/24/61)
 3. 11/24/61 - M.L. (11/24/61) - M.L. (11/24/61) - M.L. (11/24/61)
 4. 11/24/61 - M.L. (11/24/61) - M.L. (11/24/61) - M.L. (11/24/61)
 5. 11/24/61 - M.L. (11/24/61) - M.L. (11/24/61) - M.L. (11/24/61)
 6. 11/24/61 - M.L. (11/24/61) - M.L. (11/24/61) - M.L. (11/24/61)
 7. 11/24/61 - M.L. (11/24/61) - M.L. (11/24/61) - M.L. (11/24/61)
 8. 11/24/61 - M.L. (11/24/61) - M.L. (11/24/61) - M.L. (11/24/61)
 9. 11/24/61 - M.L. (11/24/61) - M.L. (11/24/61) - M.L. (11/24/61)
 10. 11/24/61 - M.L. (11/24/61) - M.L. (11/24/61) - M.L. (11/24/61)
 11. 11/24/61 - M.L. (11/24/61) - M.L. (11/24/61) - M.L. (11/24/61)
 12. 11/24/61 - M.L. (11/24/61) - M.L. (11/24/61) - M.L. (11/24/61)
 13. 11/24/61 - M.L. (11/24/61) - M.L. (11/24/61) - M.L. (11/24/61)
 14. 11/24/61 - M.L. (11/24/61) - M.L. (11/24/61) - M.L. (11/24/61)
 15. 11/24/61 - M.L. (11/24/61) - M.L. (11/24/61) - M.L. (11/24/61)
 16. 11/24/61 - M.L. (11/24/61) - M.L. (11/24/61) - M.L. (11/24/61)
 17. 11/24/61 - M.L. (11/24/61) - M.L. (11/24/61) - M.L. (11/24/61)
 18. 11/24/61 - M.L. (11/24/61) - M.L. (11/24/61) - M.L. (11/24/61)
 19. 11/24/61 - M.L. (11/24/61) - M.L. (11/24/61) - M.L. (11/24/61)
 20. 11/24/61 - M.L. (11/24/61) - M.L. (11/24/61) - M.L. (11/24/61)
 21. 11/24/61 - M.L. (11/24/61) - M.L. (11/24/61) - M.L. (11/24/61)
 22. 11/24/61 - M.L. (11/24/61) - M.L. (11/24/61) - M.L. (11/24/61)
 23. 11/24/61 - M.L. (11/24/61) - M.L. (11/24/61) - M.L. (11/24/61)
 24. 11/24/61 - M.L. (11/24/61) - M.L. (11/24/61) - M.L. (11/24/61)
 25. 11/24/61 - M.L. (11/24/61) - M.L. (11/24/61) - M.L. (11/24/61)
 26. 11/24/61 - M.L. (11/24/61) - M.L. (11/24/61) - M.L. (11/24/61)
 27. 11/24/61 - M.L. (11/24/61) - M.L. (11/24/61) - M.L. (11/24/61)
 28. 11/24/61 - M.L. (11/24/61) - M.L. (11/24/61) - M.L. (11/24/61)
 29. 11/24/61 - M.L. (11/24/61) - M.L. (11/24/61) - M.L. (11/24/61)
 30. 11/24/61 - M.L. (11/24/61) - M.L. (11/24/61) - M.L. (11/24/61)
 31. 11/24/61 - M.L. (11/24/61) - M.L. (11/24/61) - M.L. (11/24/61)
 32. 11/24/61 - M.L. (11/24/61) - M.L. (11/24/61) - M.L. (11/24/61)
 33. 11/24/61 - M.L. (11/24/61) - M.L. (11/24/61) - M.L. (11/24/61)
 34. 11/24/61 - M.L. (11/24/61) - M.L. (11/24/61) - M.L. (11/24/61)
 35. 11/24/61 - M.L. (11/24/61) - M.L. (11/24/61) - M.L. (11/24/61)
 36. 11/24/61 - M.L. (11/24/61) - M.L. (11/24/61) - M.L. (11/24/61)
 37. 11/24/61 - M.L. (11/24/61) - M.L. (11/24/61) - M.L. (11/24/61)
 38. 11/24/61 - M.L. (11/24/61) - M.L. (11/24/61) - M.L. (11/24/61)
 39. 11/24/61 - M.L. (11/24/61) - M.L. (11/24/61) - M.L. (11/24/61)
 40. 11/24/61 - M.L. (11/24/61) - M.L. (11/24/61) - M.L. (11/24/61)
 41. 11/24/61 - M.L. (11/24/61) - M.L. (11/24/61) - M.L. (11/24/61)
 42. 11/24/61 - M.L. (11/24/61) - M.L. (11/24/61) - M.L. (11/24/61)
 43. 11/24/61 - M.L. (11/24/61) - M.L. (11/24/61) - M.L. (11/24/61)
 44. 11/24/61 - M.L. (11/24/61) - M.L. (11/24/61) - M.L. (11/24/61)
 45. 11/24/61 - M.L. (11/24/61) - M.L. (11/24/61) - M.L. (11/24/61)
 46. 11/24/61 - M.L. (11/24/61) - M.L. (11/24/61) - M.L. (11/24/61)
 47. 11/24/61 - M.L. (11/24/61) - M.L. (11/24/61) - M.L. (11/24/61)
 48. 11/24/61 - M.L. (11/24/61) - M.L. (11/24/61) - M.L. (11/24/61)
 49. 11/24/61 - M.L. (11/24/61) - M.L. (11/24/61) - M.L. (11/24/61)
 50. 11/24/61 - M.L. (11/24/61) - M.L. (11/24/61) - M.L. (11/24/61)
 51. 11/24/61 - M.L. (11/24/61) - M.L. (11/24/61) - M.L. (11/24/61)
 52. 11/24/61 - M.L. (11/24/61) - M.L. (11/24/61) - M.L. (11/24/61)
 53. 11/24/61 - M.L. (11/24/61) - M.L. (11/24/61) - M.L. (11/24/61)
 54. 11/24/61 - M.L. (11/24/61) - M.L. (11/24/61) - M.L. (11/24/61)
 55. 11/24/61 - M.L. (11/24/61) - M.L. (11/24/61) - M.L. (11/24/61)
 56. 11/24/61 - M.L. (11/24/61) - M.L. (11/24/61) - M.L. (11/24/61)
 57. 11/24/61 - M.L. (11/24/61) - M.L. (11/24/61) - M.L. (11/24/61)
 58. 11/24/61 - M.L. (11/24/61) - M.L. (11/24/61) - M.L. (11/24/61)
 59. 11/24/61 - M.L. (11/24/61) - M.L. (11/24/61) - M.L. (11/24/61)
 60. 11/24/61 - M.L. (11/24/61) - M.L. (11/24/61) - M.L. (11/24/61)
 61. 11/24/61 - M.L. (11/24/61) - M.L. (11/24/61) - M.L. (11/24/61)
 62. 11/24/61 - M.L. (11/24/61) - M.L. (11/24/61) - M.L. (11/24/61)
 63. 11/24/61 - M.L. (11/24/61) - M.L. (11/24/61) - M.L. (11/24/61)
 64. 11/24/61 - M.L. (11/24/61) - M.L. (11/24/61) - M.L. (11/24/61)
 65. 11/24/61 - M.L. (11/24/61) - M.L. (11/24/61) - M.L. (11/24/61)
 66. 11/24/61 - M.L. (11/24/61) - M.L. (11/24/61) - M.L. (11/24/61)
 67. 11/24/61 - M.L. (11/24/61) - M.L. (11/24/61) - M.L. (11/24/61)
 68. 11/24/61 - M.L. (11/24/61) - M.L. (11/24/61) - M.L. (11/24/61)
 69. 11/24/61 - M.L. (11/24/61) - M.L. (11/24/61) - M.L. (11/24/61)
 70. 11/24/61 - M.L. (11/24/61) - M.L. (11/24/61) - M.L. (11/24/61)
 71. 11/24/61 - M.L. (11/24/61) - M.L. (11/24/61) - M.L. (11/24/61)
 72. 11/24/61 - M.L. (11/24/61) - M.L. (11/24/61) - M.L. (11/24/61)
 73. 11/24/61 - M.L. (11/24/61) - M.L. (11/24/61) - M.L. (11/24/61)
 74. 11/24/61 - M.L. (11/24/61) - M.L. (11/24/61) - M.L. (11/24/61)
 75. 11/24/61 - M.L. (11/24/61) - M.L. (11/24/61) - M.L. (11/24/61)
 76. 11/24/61 - M.L. (11/24/61) - M.L. (11/24/61) - M.L. (11/24/61)
 77. 11/24/61 - M.L. (11/24/61) - M.L. (11/24/61) - M.L. (11/24/61)
 78. 11/24/61 - M.L. (11/24/61) - M.L. (11/24/61) - M.L. (11/24/61)
 79. 11/24/61 - M.L. (11/24/61) - M.L. (11/24/61) - M.L. (11/24/61)
 80. 11/24/61 - M.L. (11/24/61) - M.L. (11/24/61) - M.L. (11/24/61)
 81. 11/24/61 - M.L. (11/24/61) - M.L. (11/24/61) - M.L. (11/24/61)
 82. 11/24/61 - M.L. (11/24/61) - M.L. (11/24/61) - M.L. (11/24/61)
 83. 11/24/61 - M.L. (11/24/61) - M.L. (11/24/61) - M.L. (11/24/61)
 84. 11/24/61 - M.L. (11/24/61) - M.L. (11/24/61) - M.L. (11/24/61)
 85. 11/24/61 - M.L. (11/24/61) - M.L. (11/24/61) - M.L. (11/24/61)
 86. 11/24/61 - M.L. (11/24/61) - M.L. (11/24/61) - M.L. (11/24/61)
 87. 11/24/61 - M.L. (11/24/61) - M.L. (11/24/61) - M.L. (11/24/61)
 88. 11/24/61 - M.L. (11/24/61) - M.L. (11/24/61) - M.L. (11/24/61)
 89. 11/24/61 - M.L. (11/24/61) - M.L. (11/24/61) - M.L. (11/24/61)
 90. 11/24/61 - M.L. (11/24/61) - M.L. (11/24/61) - M.L. (11/24/61)
 91. 11/24/61 - M.L. (11/24/61) - M.L. (11/24/61) - M.L. (11/24/61)
 92. 11/24/61 - M.L. (11/24/61) - M.L. (11/24/61) - M.L. (11/24/61)
 93. 11/24/61 - M.L. (11/24/61) - M.L. (11/24/61) - M.L. (11/24/61)
 94. 11/24/61 - M.L. (11/24/61) - M.L. (11/24/61) - M.L. (11/24/61)
 95. 11/24/61 - M.L. (11/24/61) - M.L. (11/24/61) - M.L. (11/24/61)
 96. 11/24/61 - M.L. (11/24/61) - M.L. (11/24/61) - M.L. (11/24/61)
 97. 11/24/61 - M.L. (11/24/61) - M.L. (11/24/61) - M.L. (11/24/61)
 98. 11/24/61 - M.L. (11/24/61) - M.L. (11/24/61) - M.L. (11/24/61)
 99. 11/24/61 - M.L. (11/24/61) - M.L. (11/24/61) - M.L. (11/24/61)
 100. 11/24/61 - M.L. (11/24/61) - M.L. (11/24/61) - M.L. (11/24/61)

FOR SITES 1213456789101112

REFERENCE DRAWINGS
 9-M-1 FUEL CATCHMENT TANK PIPING PLAN & DETAILS
 3-E-11 FUEL CATCHMENT TANK SYSTEM SILO PLAN & DETAILS
 3-E-12 FUEL CATCHMENT TANK SYSTEM WIRING DIAGRAM, DETAIL, PLOT PLAN & SYMBOLS

REV. TO SHOW CORRECT	DATE	BY	CHKD BY
6-17-62			
REVISED CONDITION	DATE	BY	CHKD BY
ISSUED FOR LINCOLN AFB			
BECHTEL CORPORATION ENGINEERS AND ARCHITECTS AIR FORCE BALLISTIC MISSILE DEFENSE AGENCY 1700 AVENUE OF THE STARS WASHINGTON, D.C. 20330			
WS-107 A-1 OPERATIONAL BASE LAUNCHING SILO FUEL CATCHMENT TANK SYSTEM LOCATION PLAN & SECTIONS			
DRAWN BY: MYERS, S. L. (S-107) CHECKED BY: J. L. (S-107) APPROVED BY: J. L. (S-107) DATE: 11/24/61			
551-3-C-10			

THIS DRAWING IS THE PROPERTY OF THE AIR FORCE BALLISTIC MISSILE DEFENSE AGENCY. IT IS TO BE KEPT IN THE OFFICE OF THE PROJECT ENGINEER. IT IS NOT TO BE REPRODUCED OR TRANSMITTED IN ANY FORM OR BY ANY MEANS, ELECTRONIC OR MECHANICAL, INCLUDING PHOTOCOPYING, RECORDING, OR BY ANY INFORMATION STORAGE AND RETRIEVAL SYSTEM, WITHOUT PERMISSION IN WRITING FROM THE PROJECT ENGINEER.



SECTION B
SCALE: 1/8" = 1'-0"

GENERAL NOTES

1. USE MECHANICAL FLOAT CONTROL FOR THE FOLLOWING:
 - (a) GRAVITY FED SYSTEMS
 - (b) TANKS EQUIPPED WITH EXHAUSTION VALVE
2. ALL MATERIALS, DETAILS AND FABRICATION SHALL CONFORM TO THE SPECIFICATIONS.
3. TANKS TO BE COATED INSIDE AND OUTSIDE PER SPECIFICATIONS.
4. CAPACITY OF TANKS AT LOW LEVEL ALARM ELEVATION IS 70,000 GALLONS.

- LEGEND
- HL HIGH LEVEL ALARM
 - LL LOW LEVEL ALARM
 - LV LIQUID CONTROL VALVE

GRAPHIC SCALE



FOR SITES 7 8 9 10 11 12 13 14 15 16 17 18 19 20

JAN 1 1952

[Signature]

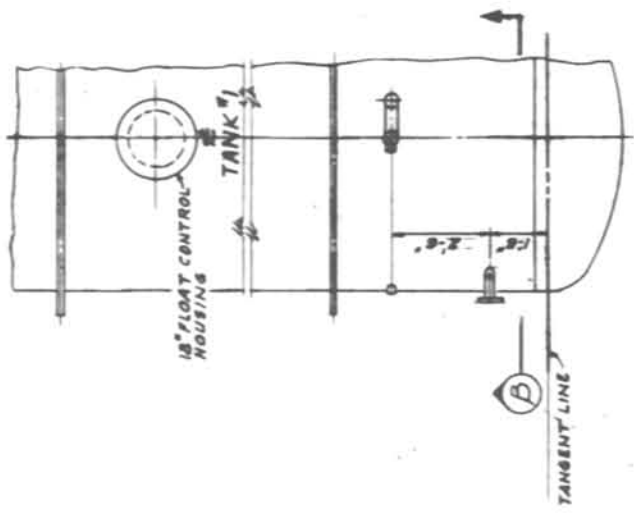
REV. NO.	DESCRIPTION	DATE
1	ISSUED FOR CONSTRUCTION	12/15/51
2	ISSUED FOR CONSTRUCTION	1/1/52

DESIGNED BY: *[Signature]*
 CHECKED BY: *[Signature]*
 DRAWN BY: *[Signature]*

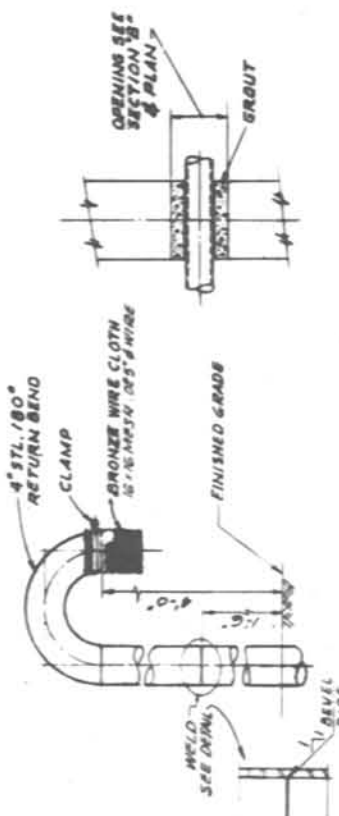
SECURITY CORPORATION
 ENGINEERS AND ARCHITECTS
 1000 MARKET STREET, PHILADELPHIA, PA.

UNITARY SILO
 LAUNCH COMPLEX
 WATER STORAGE PIPING AND BEDDING DETAILS

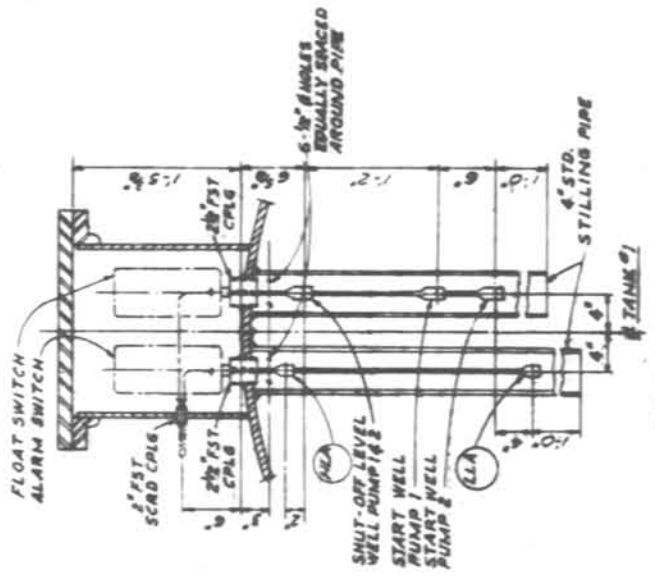
551-A-3-C-2



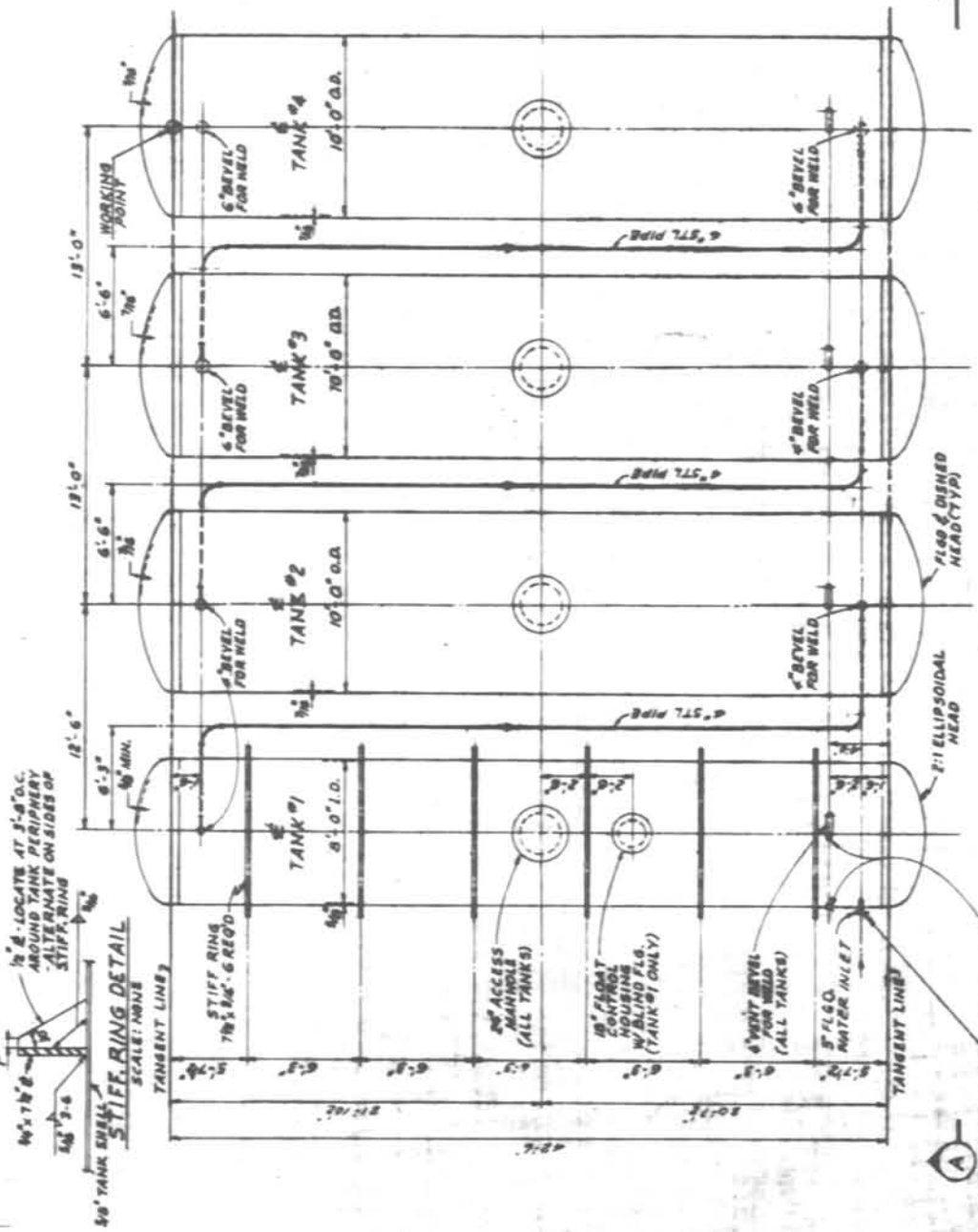
PLAN
SCALE: 1/8" = 1'-0"



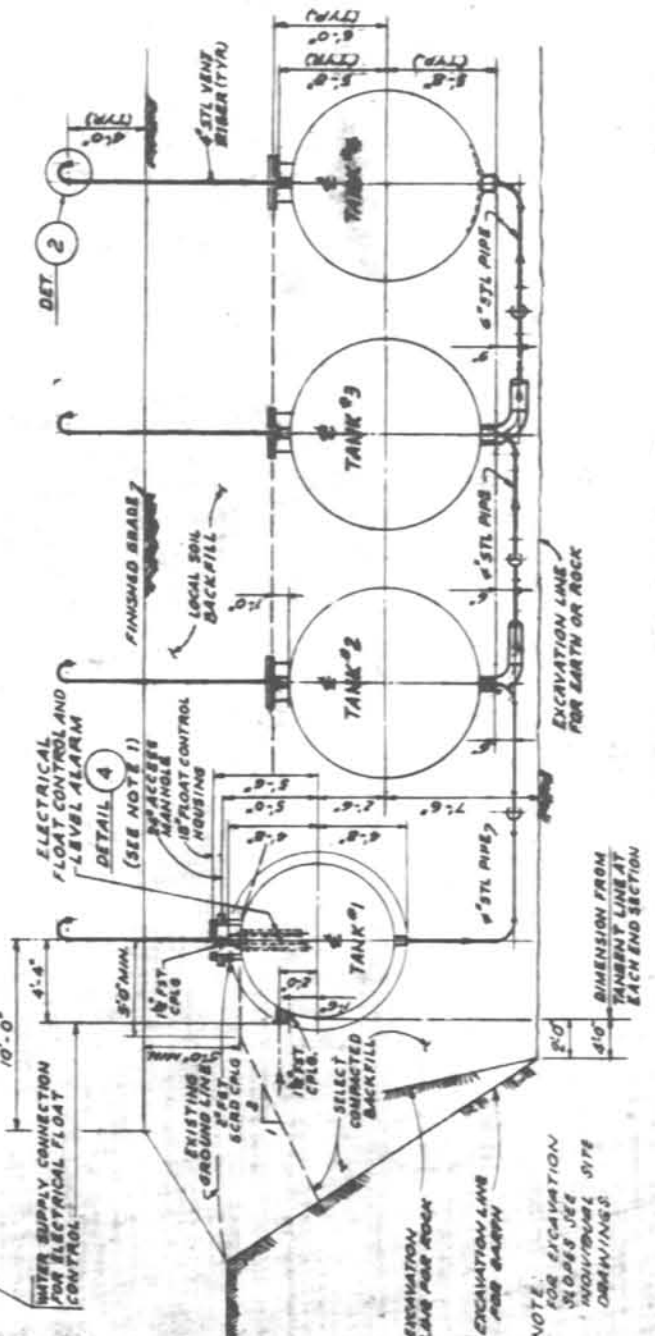
DETAIL 2
SCALE: 1/8" = 1'-0"



DETAIL 3
SCALE: 1/8" = 1'-0"



PLAN
WATER STORAGE TANKS
SCALE: 1/8" = 1'-0"

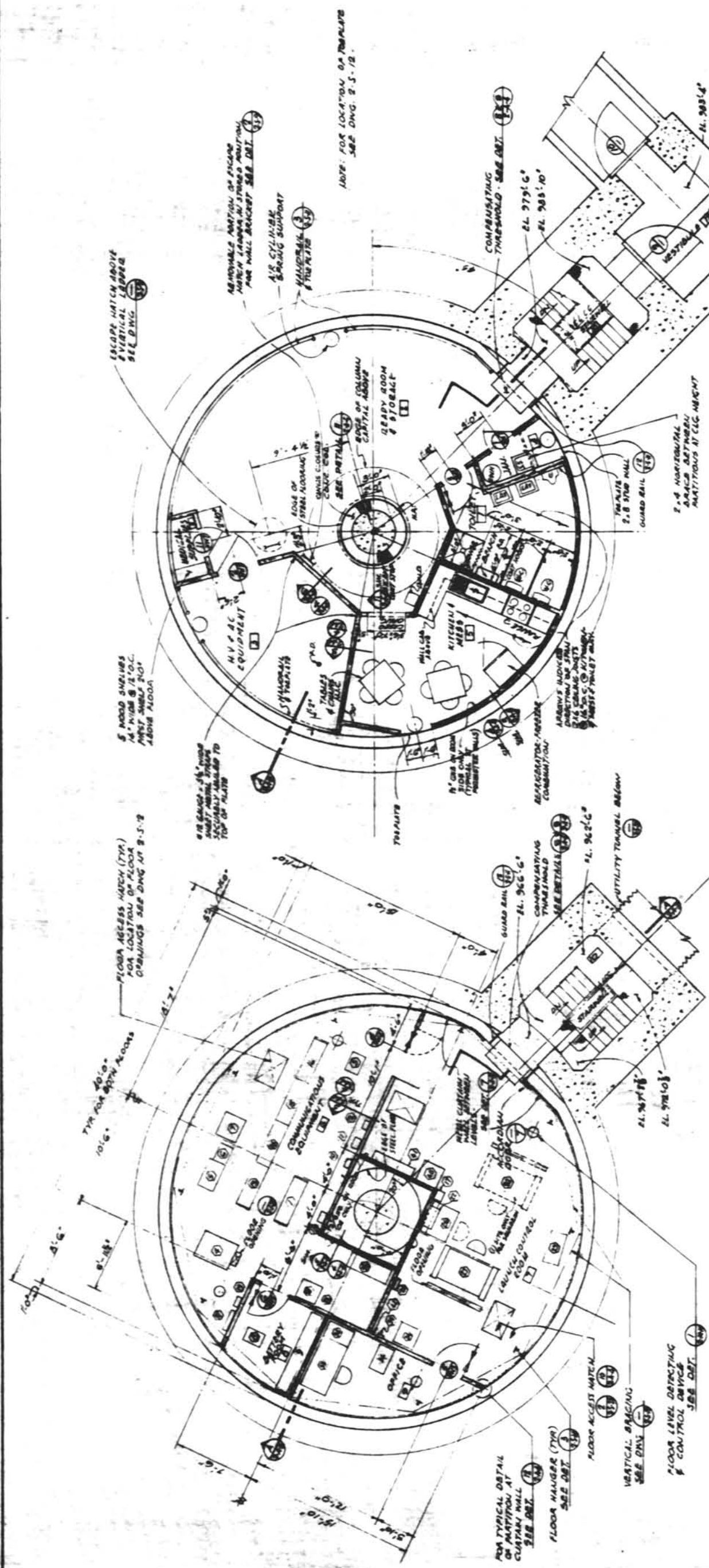


SECTION A
SCALE: 1/8" = 1'-0"

FOR SITES 7 8 9 10 11 12 13 14 15 16 17 18 19 20

JAN 1 1952

[Signature]

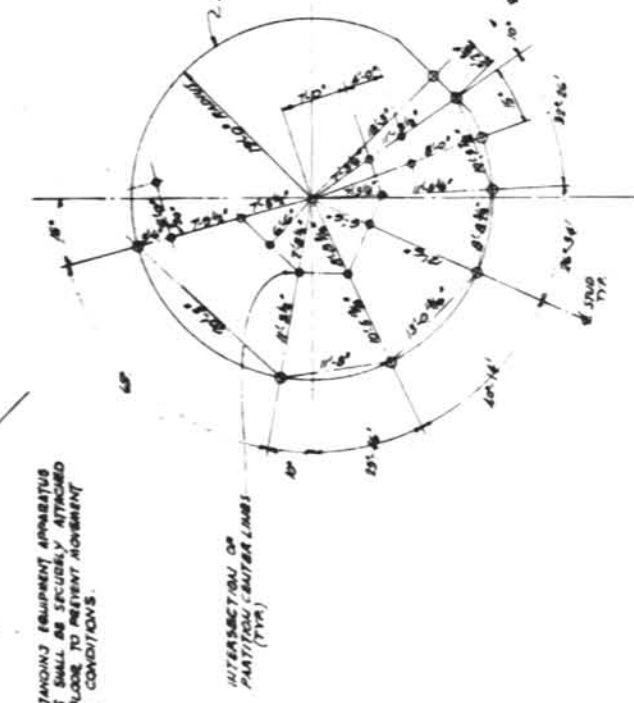


NOTE: FIRE STANDBY EQUIPMENT APPARATUS AND APPLIANCES SHALL BE SECURELY ATTACHED TO WALLS OR FLOORS TO PREVENT MOVEMENT UNDER SHOCK CONDITIONS.

2ND LEVEL
FINISHED FLOOR ELEVATION 366'6"

1ST LEVEL
FINISHED FLOOR ELEVATION 379'6"

FOR SITE 6



SCHEMATIC PLAN - LOCATION OF WORK POINTS FOR WOOD STUD PARTITIONS - 1ST LEVEL
NO SCALE

NOTE: FOR 1ST AND 2ND LEVEL STEEL FLOOR FRAMING PLAN AND DETAILS SEE DWGS 2-3-11, 2-3-12, 2-3-13 AND 2-3-14. FOR STEEL STAIR DETAILS SEE DWG 2-3-7.

REV.	DATE	BY	CHKD.	DESCRIPTION
1	11-17-60	J. J. [Signature]	[Signature]	REVISED TO SHOW CONSTR. CONDITIONS
2	11-17-60	J. J. [Signature]	[Signature]	REVISED TO SHOW CONSTR. CONDITIONS
3	11-17-60	J. J. [Signature]	[Signature]	REVISED TO SHOW CONSTR. CONDITIONS
4	11-17-60	J. J. [Signature]	[Signature]	REVISED TO SHOW CONSTR. CONDITIONS
5	11-17-60	J. J. [Signature]	[Signature]	REVISED TO SHOW CONSTR. CONDITIONS
6	11-17-60	J. J. [Signature]	[Signature]	REVISED TO SHOW CONSTR. CONDITIONS
7	11-17-60	J. J. [Signature]	[Signature]	REVISED TO SHOW CONSTR. CONDITIONS
8	11-17-60	J. J. [Signature]	[Signature]	REVISED TO SHOW CONSTR. CONDITIONS
9	11-17-60	J. J. [Signature]	[Signature]	REVISED TO SHOW CONSTR. CONDITIONS
10	11-17-60	J. J. [Signature]	[Signature]	REVISED TO SHOW CONSTR. CONDITIONS

BECHTEL CORPORATION
ENGINEERS AND ARCHITECTS

DEPARTMENT OF THE AIR FORCE
AIR FORCE BALLISTIC MISSILE DIVISION

WS-107 A-1 OPERATIONAL BASE
UNITARY SILO
LAUNCH CONTROL CENTER

FLOOR PLANS

DATE: 11-17-60
SCALE: AS SHOWN
DRAWN BY: J. J. [Signature]
CHECKED BY: [Signature]
APPROVED BY: [Signature]

PROJECT NO. 551-B-2-A-2

- REVISION NOTES
- (1) CHANGED GATE TV MONITOR & GATE TV CABINET TO TV MONITOR SWITCHES SEE NOTE 1 (TYPICAL)
 - (2) CHANGED GATE TV MONITOR & GATE TV CABINET TO TV MONITOR SWITCHES SEE NOTE 1 (TYPICAL)
 - (3) CHANGED SECURITY GATE CONTROL, P.B. TO ENTRENCHMENT AREA
 - (4) GATE CONTROL P.B. STA
 - (5) DELETED PROVISIONS FOR SURVEILLANCE TV FLOODLIGHT POLE #2 AT GATE #1
 - (6) DELETED PROVISIONS FOR SURVEILLANCE TV FLOODLIGHT POLE #2 AT GATE #1
 - (7) DELETED PROVISIONS FOR SURVEILLANCE TV FLOODLIGHT POLE #2 AT GATE #1
 - (8) DELETED PROVISIONS FOR SURVEILLANCE TV FLOODLIGHT POLE #2 AT GATE #1
 - (9) DELETED PROVISIONS FOR SURVEILLANCE TV FLOODLIGHT POLE #2 AT GATE #1
 - (10) DELETED PROVISIONS FOR SURVEILLANCE TV FLOODLIGHT POLE #2 AT GATE #1

UP TV CABLE (SEE NOTE 7)
 UP 10" DEEP CABLE TRAY FOR FACILITY CABLES (SEE NOTE 5)
 UP 12" DEEP CABLE TRAY FOR COMMUNICATION CABLES (SEE NOTE 5)
 UP 12" DEEP CABLE TRAY FOR USE CABLES (SEE NOTE 5)
 UP C100 - SEE NOTE 8
 BLAST DETECTION SYSTEM
 EBS EQUIPMENT RACK (N.I.C.)
 TOP TO BOTTOM: (PB), (P), (M), (A), (R), (S), (T), (U), (V), (W), (X), (Y), (Z)

LEVEL CONTROL SWITCHES SEE NOTE 1 (TYPICAL)
 UP 10" DEEP CABLE TRAY FOR FACILITY CABLES (SEE NOTE 5)
 UP 12" DEEP CABLE TRAY FOR COMMUNICATION CABLES (SEE NOTE 5)
 UP 12" DEEP CABLE TRAY FOR USE CABLES (SEE NOTE 5)
 UP C100 - SEE NOTE 8
 BLAST DETECTION SYSTEM
 EBS EQUIPMENT RACK (N.I.C.)
 TOP TO BOTTOM: (PB), (P), (M), (A), (R), (S), (T), (U), (V), (W), (X), (Y), (Z)

UP 10" DEEP CABLE TRAY FOR FACILITY CABLES (SEE NOTE 5)
 UP 12" DEEP CABLE TRAY FOR COMMUNICATION CABLES (SEE NOTE 5)
 UP 12" DEEP CABLE TRAY FOR USE CABLES (SEE NOTE 5)
 UP C100 - SEE NOTE 8
 BLAST DETECTION SYSTEM
 EBS EQUIPMENT RACK (N.I.C.)
 TOP TO BOTTOM: (PB), (P), (M), (A), (R), (S), (T), (U), (V), (W), (X), (Y), (Z)

UP 10" DEEP CABLE TRAY FOR FACILITY CABLES (SEE NOTE 5)
 UP 12" DEEP CABLE TRAY FOR COMMUNICATION CABLES (SEE NOTE 5)
 UP 12" DEEP CABLE TRAY FOR USE CABLES (SEE NOTE 5)
 UP C100 - SEE NOTE 8
 BLAST DETECTION SYSTEM
 EBS EQUIPMENT RACK (N.I.C.)
 TOP TO BOTTOM: (PB), (P), (M), (A), (R), (S), (T), (U), (V), (W), (X), (Y), (Z)

UP 10" DEEP CABLE TRAY FOR FACILITY CABLES (SEE NOTE 5)
 UP 12" DEEP CABLE TRAY FOR COMMUNICATION CABLES (SEE NOTE 5)
 UP 12" DEEP CABLE TRAY FOR USE CABLES (SEE NOTE 5)
 UP C100 - SEE NOTE 8
 BLAST DETECTION SYSTEM
 EBS EQUIPMENT RACK (N.I.C.)
 TOP TO BOTTOM: (PB), (P), (M), (A), (R), (S), (T), (U), (V), (W), (X), (Y), (Z)

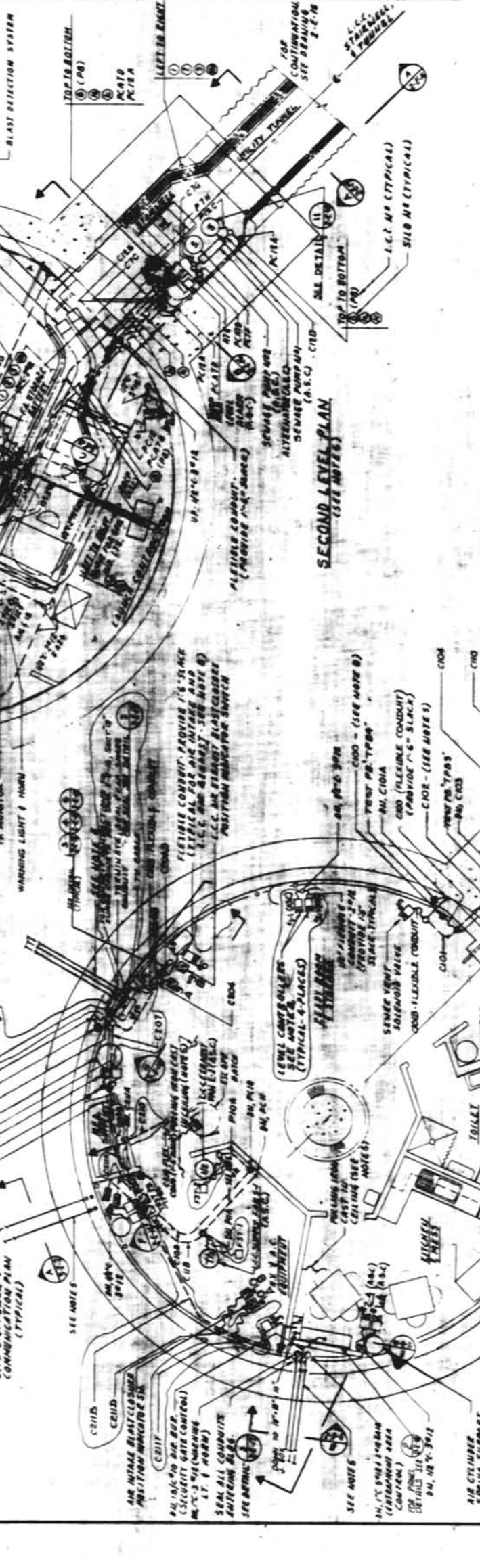
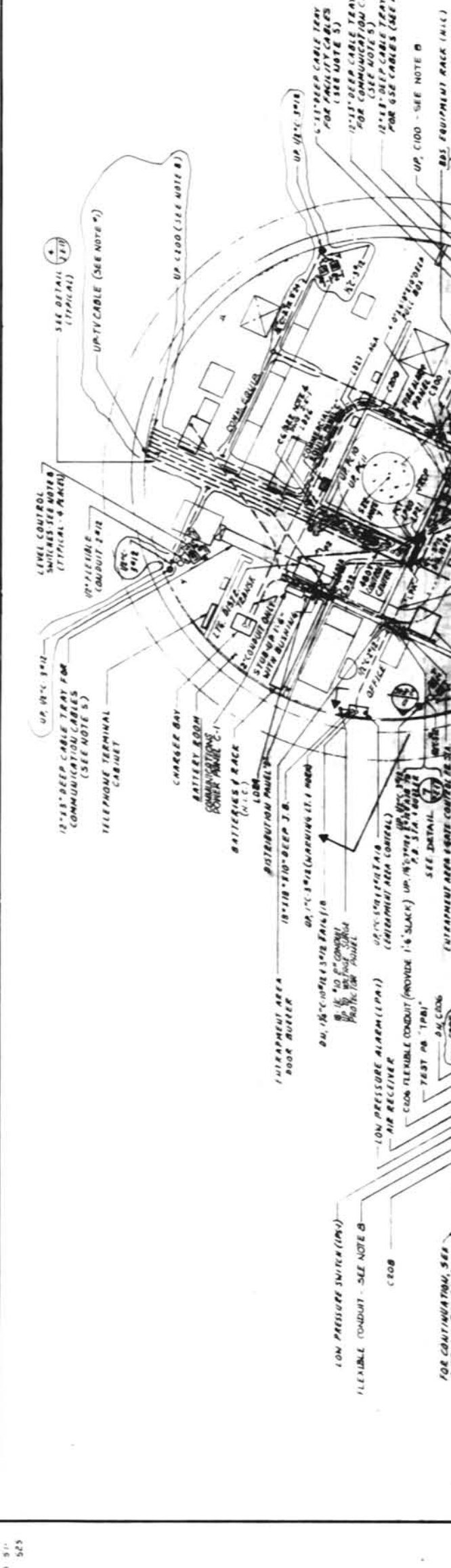
UP 10" DEEP CABLE TRAY FOR FACILITY CABLES (SEE NOTE 5)
 UP 12" DEEP CABLE TRAY FOR COMMUNICATION CABLES (SEE NOTE 5)
 UP 12" DEEP CABLE TRAY FOR USE CABLES (SEE NOTE 5)
 UP C100 - SEE NOTE 8
 BLAST DETECTION SYSTEM
 EBS EQUIPMENT RACK (N.I.C.)
 TOP TO BOTTOM: (PB), (P), (M), (A), (R), (S), (T), (U), (V), (W), (X), (Y), (Z)

UP 10" DEEP CABLE TRAY FOR FACILITY CABLES (SEE NOTE 5)
 UP 12" DEEP CABLE TRAY FOR COMMUNICATION CABLES (SEE NOTE 5)
 UP 12" DEEP CABLE TRAY FOR USE CABLES (SEE NOTE 5)
 UP C100 - SEE NOTE 8
 BLAST DETECTION SYSTEM
 EBS EQUIPMENT RACK (N.I.C.)
 TOP TO BOTTOM: (PB), (P), (M), (A), (R), (S), (T), (U), (V), (W), (X), (Y), (Z)

UP 10" DEEP CABLE TRAY FOR FACILITY CABLES (SEE NOTE 5)
 UP 12" DEEP CABLE TRAY FOR COMMUNICATION CABLES (SEE NOTE 5)
 UP 12" DEEP CABLE TRAY FOR USE CABLES (SEE NOTE 5)
 UP C100 - SEE NOTE 8
 BLAST DETECTION SYSTEM
 EBS EQUIPMENT RACK (N.I.C.)
 TOP TO BOTTOM: (PB), (P), (M), (A), (R), (S), (T), (U), (V), (W), (X), (Y), (Z)

UP 10" DEEP CABLE TRAY FOR FACILITY CABLES (SEE NOTE 5)
 UP 12" DEEP CABLE TRAY FOR COMMUNICATION CABLES (SEE NOTE 5)
 UP 12" DEEP CABLE TRAY FOR USE CABLES (SEE NOTE 5)
 UP C100 - SEE NOTE 8
 BLAST DETECTION SYSTEM
 EBS EQUIPMENT RACK (N.I.C.)
 TOP TO BOTTOM: (PB), (P), (M), (A), (R), (S), (T), (U), (V), (W), (X), (Y), (Z)

UP 10" DEEP CABLE TRAY FOR FACILITY CABLES (SEE NOTE 5)
 UP 12" DEEP CABLE TRAY FOR COMMUNICATION CABLES (SEE NOTE 5)
 UP 12" DEEP CABLE TRAY FOR USE CABLES (SEE NOTE 5)
 UP C100 - SEE NOTE 8
 BLAST DETECTION SYSTEM
 EBS EQUIPMENT RACK (N.I.C.)
 TOP TO BOTTOM: (PB), (P), (M), (A), (R), (S), (T), (U), (V), (W), (X), (Y), (Z)



NOTES

1. VIEWS FOR TV CAMERA TO BE INCLUDED AND INSTALLED PER MANUFACTURER'S RECOMMENDATION.
2. FOR ELECTRICAL SYMBOLS AND ABBREVIATIONS, SEE DRAWING 2-E-12.
3. FOR CONDUIT SCHEDULE, SEE DRAWING 2-E-4.
4. SUPPORT CONDUITS FROM AIR CONDITIONING DUCTS ONLY WHERE NECESSARY.
5. FOR LOCATION OF CONDUIT PENETRATIONS THROUGH L.C.C. WALL, PULLING IRONS CAST IN L.C.C. CEILING, AND CABLE TRAYS UNDER SECOND LEVEL FLOOR, SEE DETAIL 1, DRAWING 2-E-7B.
6. UNLESS OTHERWISE NOTED ON PLAN, ALL CONDUIT RUNS, CABLE RUNS, AND CABLE TRAYS SHOWN ON SECOND LEVEL PLAN IN L.C.C. WILL BE RUN BELOW SECOND LEVEL FLOOR.
7. FOR MOTOR CONNECTION DIAGRAMS AND CONTROL WIRING DIAGRAMS, SEE DRAWING 2-E-18.
8. FOR BLAST GATES, BLAST DOORS, AND LEVEL CONTROLLERS, SEE DRAWING 2-E-18.
9. FOR EQUIPMENT NOT IDENTIFIED, SEE DRAWING 2-A-2.
10. FLOOR MOUNTED EQUIPMENT SHALL BE BOLTED OR NEEDED TO SHAKES. IF WALL MOUNTED EQUIPMENT IS SUPPLIED, THE WALLS SHALL BE STRENGTHENED FOR MINIMIZING VIBRATION OF EQUIPMENT.

REFERENCE DRAWINGS

ELECT. SINGLE LINE DIAG.	2-E-1
ELECT. PLAN, SECT'S, DET'S, (FURNISH)	2-E-2
SITE-UG POWER & COMM. SECT'S, & DET'S, (N.I.C.)	2-E-3
MISCELLANEOUS DETAILS - (N.I.C.)	2-E-4
ELECT. SECT'S AND DET'S - (N.I.C.)	2-E-5
MISCELLANEOUS ELECTRICAL DETAILS & DIAGRAMS	2-E-6

FOR SITES 1 2 3 4 5 6 7 8 9 10 11 12 13 14 15 16 17 18 19 20

1" = 1'-0"

REVISIONS

NO.	DATE	DESCRIPTION	ISSUED FOR	BY	CHKD.
M-13	27 SEP 60	SEE REVISION 1	AFBMD		
M-17	27 SEP 60	CHANGED M. OF TERVALE P.W. NO. 13 FROM 8" TO 10" DELETED PROVISIONS FOR BLAST DETECTION ON 1" M. 4" LEVEL PLANS. ADDED 4" X 4" X 1/2" D. PULL IRON, D.U.S. BOARD. N.I.C. TO 1" X 1" X 1/2" LEVEL PLANS.	AFBMD		
M-18	27 SEP 60	CHANGED "E" OF "E" FACILITY CABLE TRAY TO "N" PLAT. ELONG TO ALURE WITH DETAIL DWS 2-1-16.	AFBMD		
M-19	27 SEP 60	SHAWED "P" OF L.C.C. SUPPLY FAN 5-1.	AFBMD		
M-20	27 SEP 60	REVISED IN AGREEMENT WITH ADD. N.I.C. DATED: 9 SEP 60.	AFBMD		

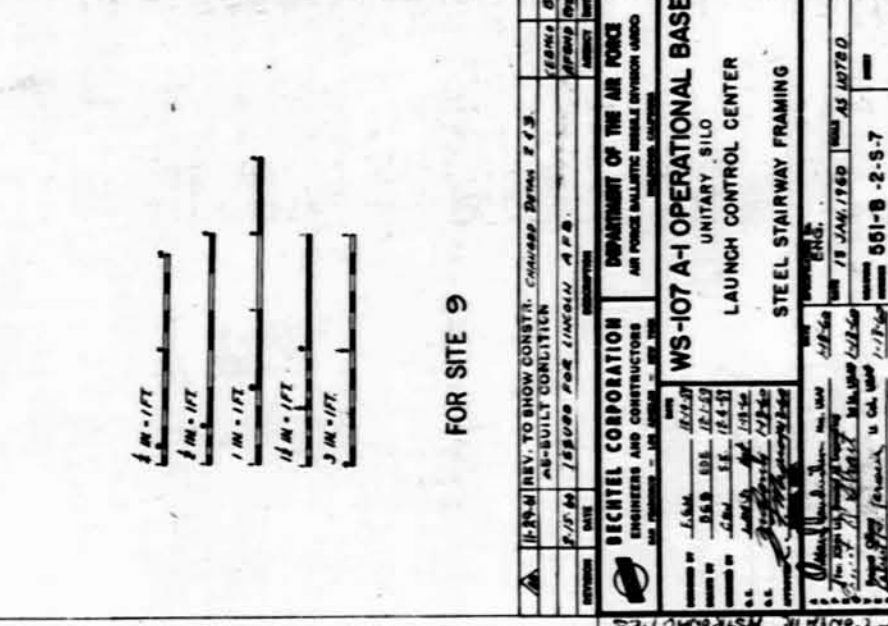
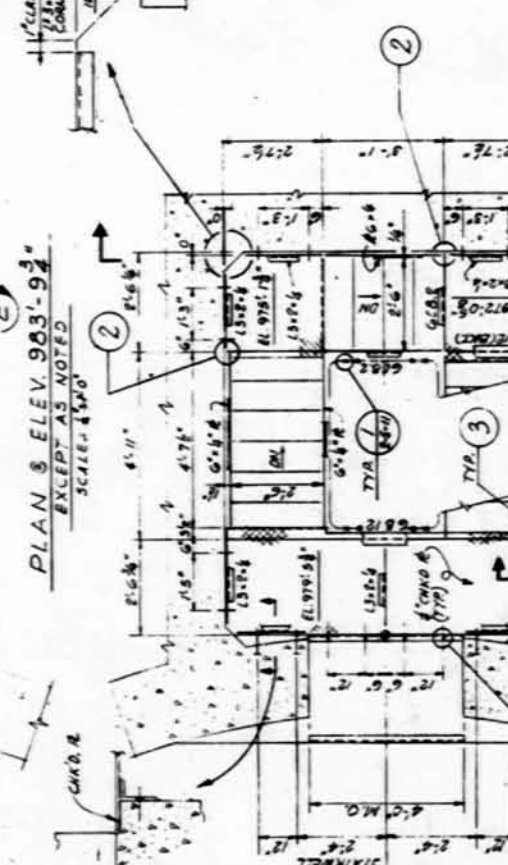
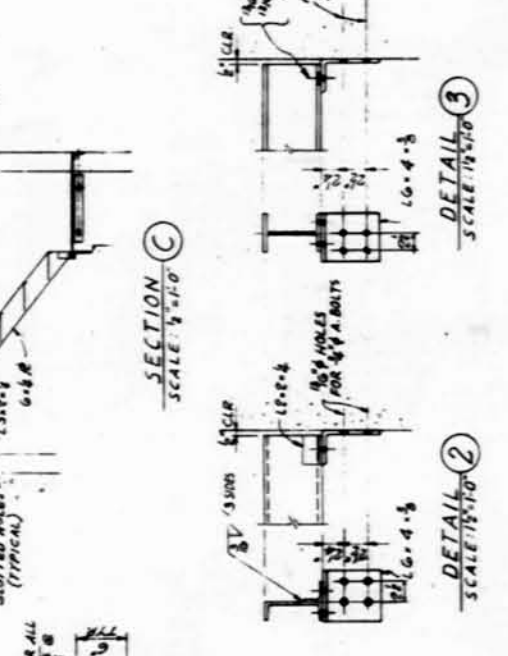
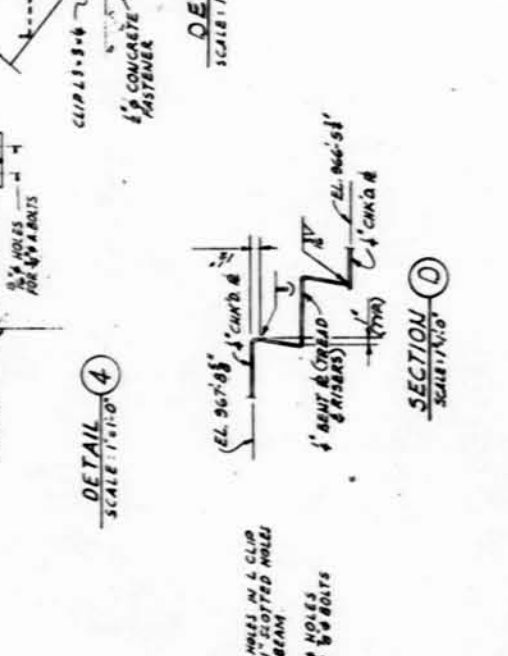
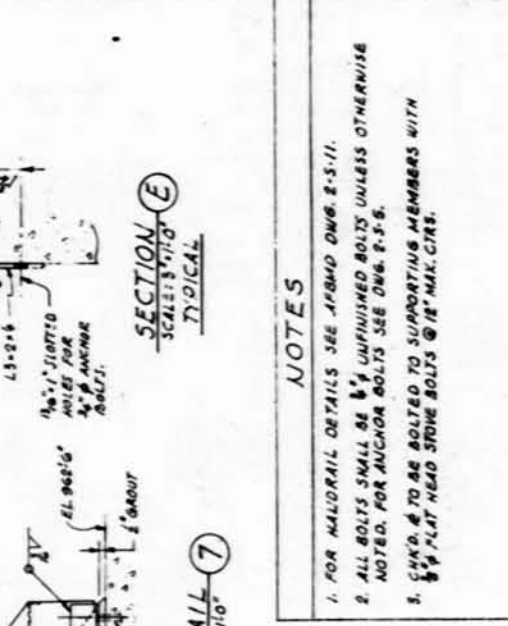
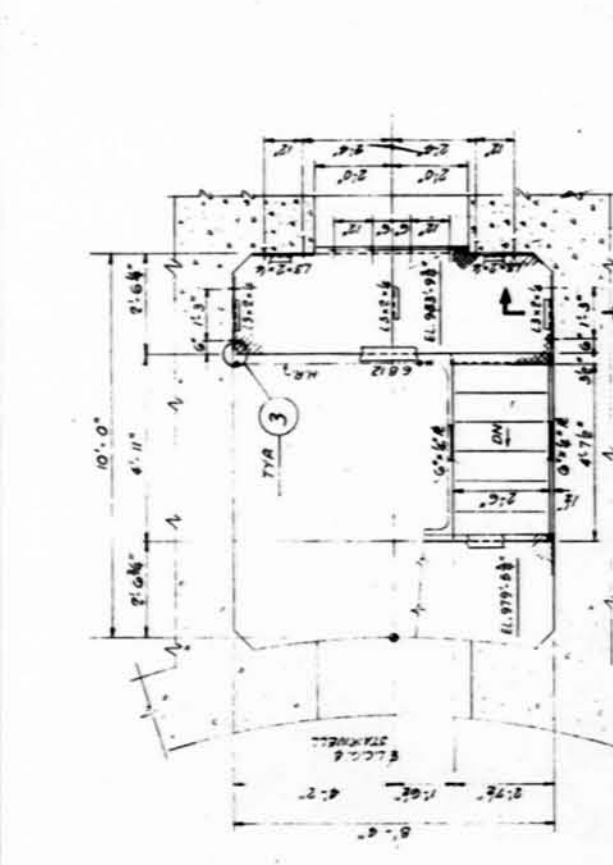
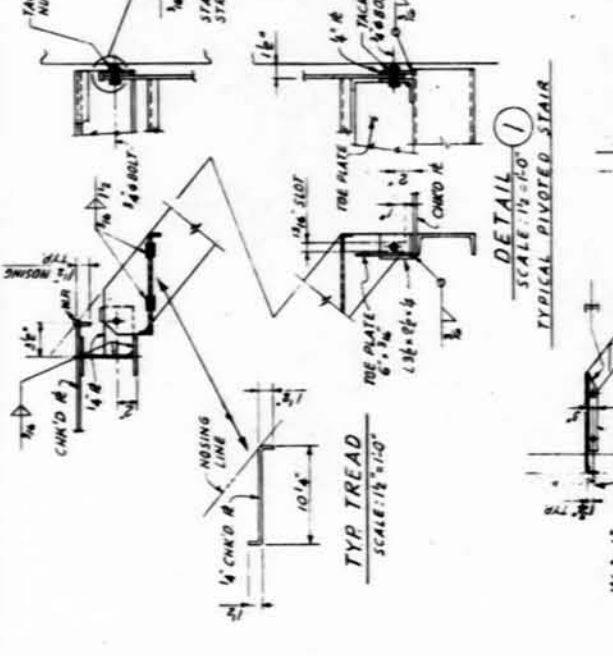
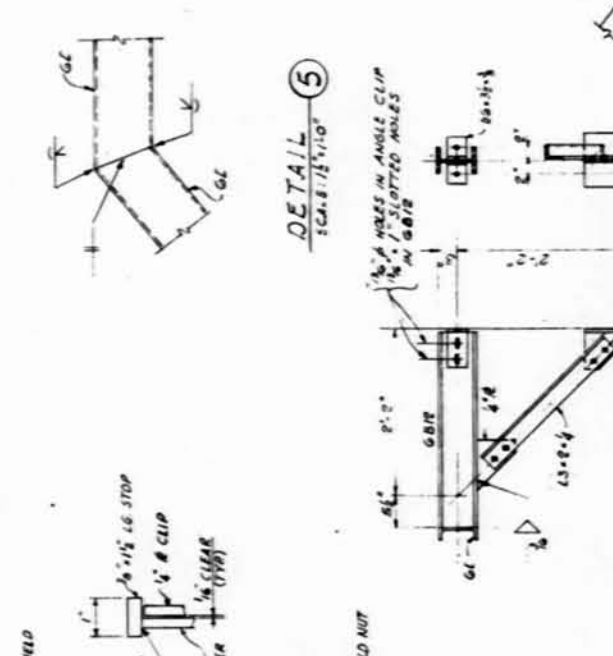
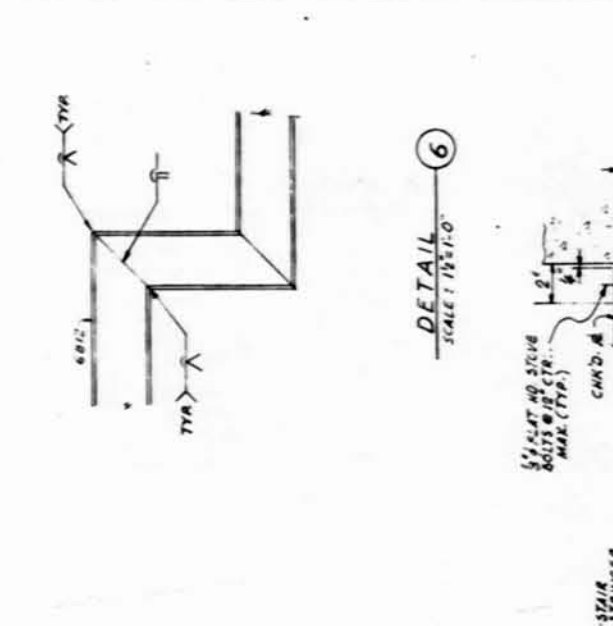
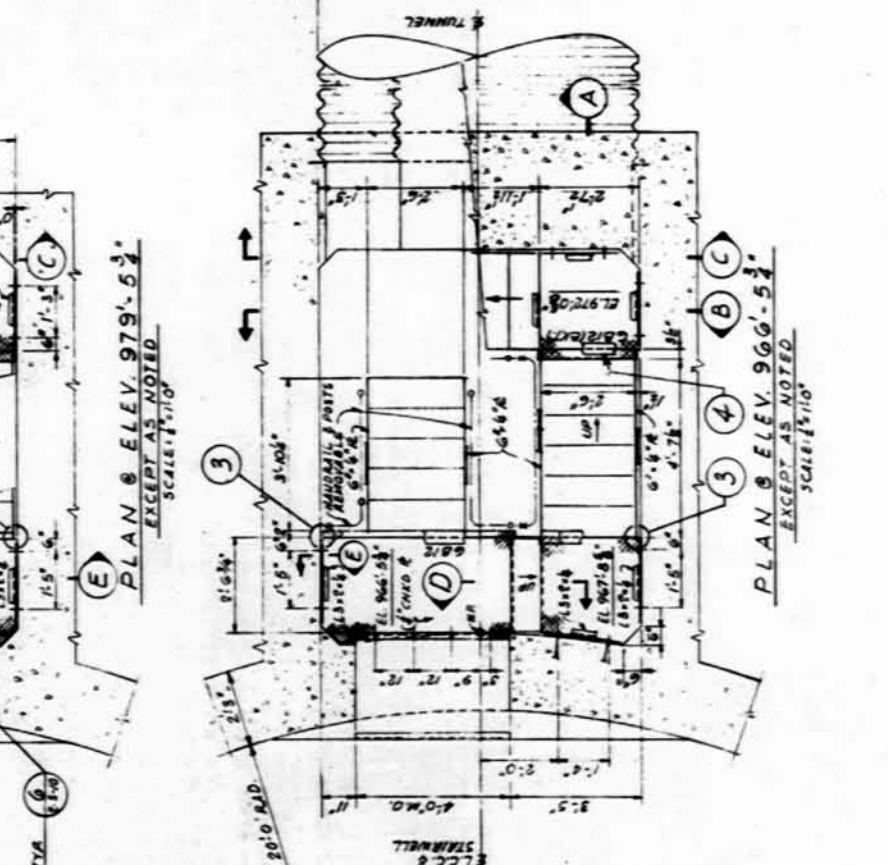
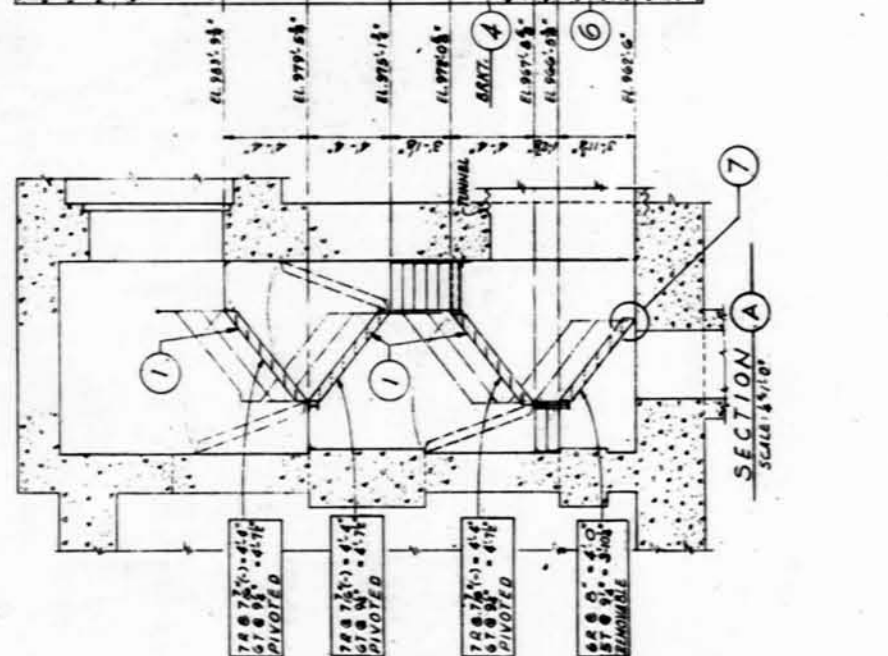
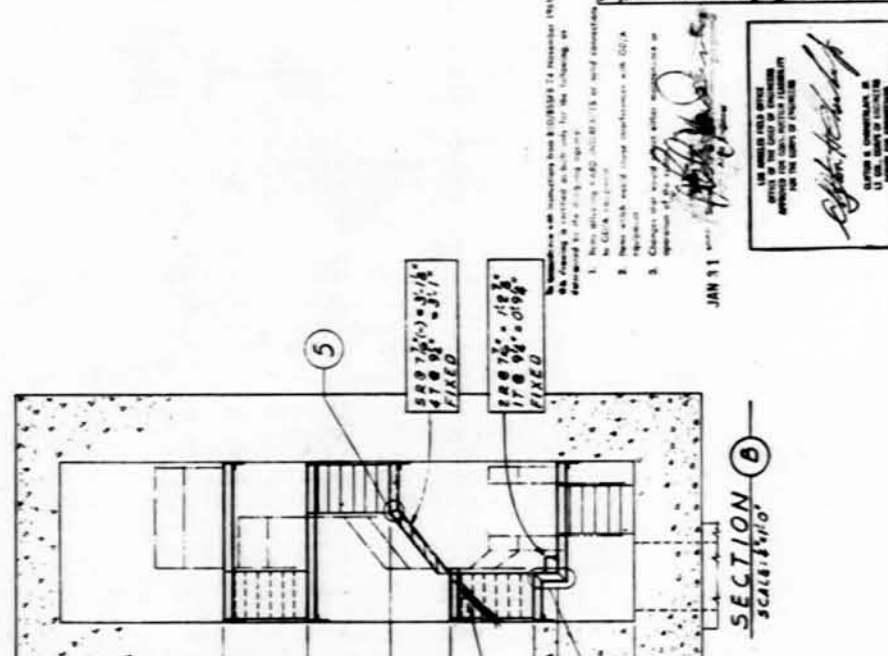
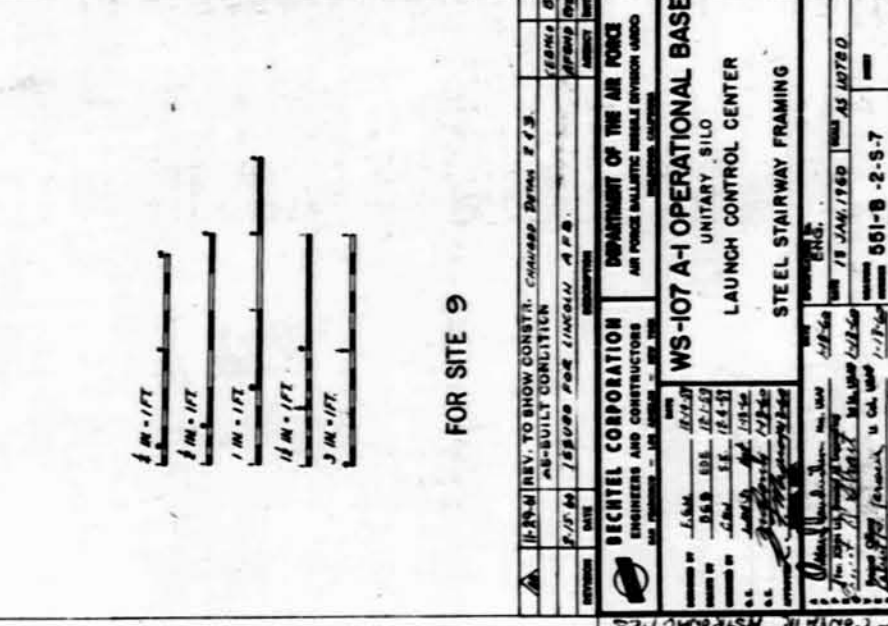
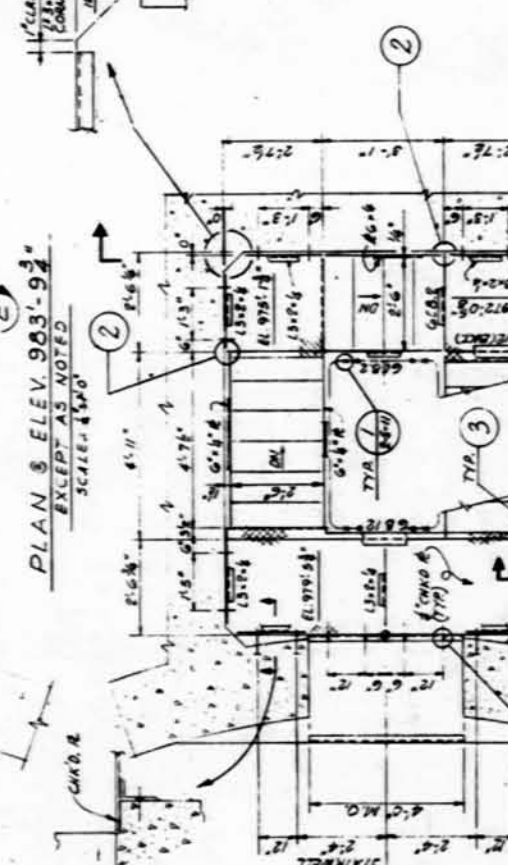
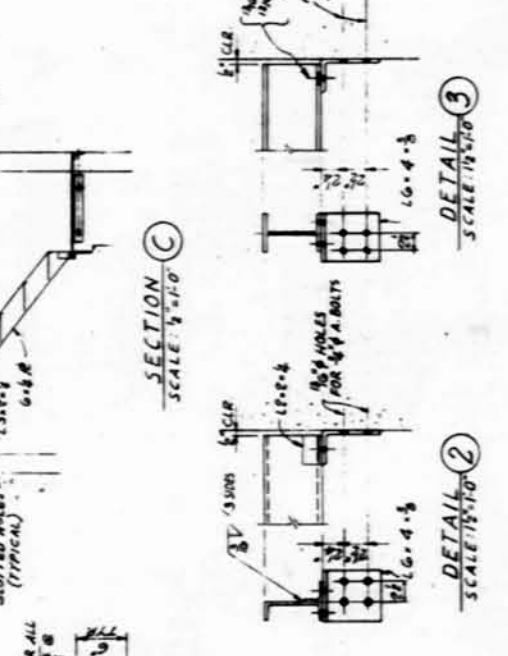
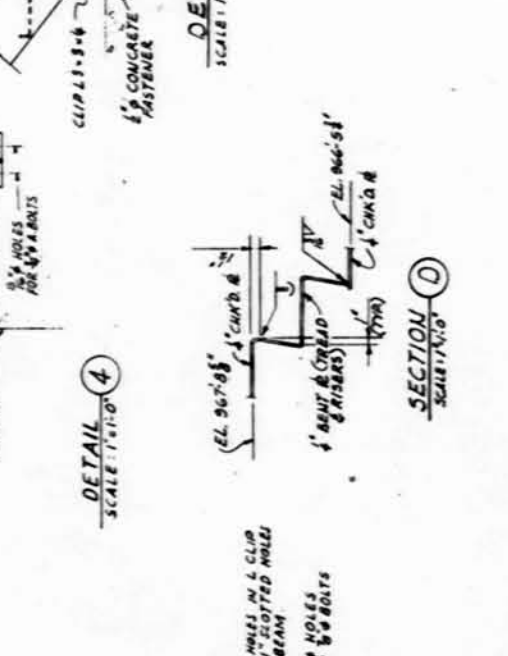
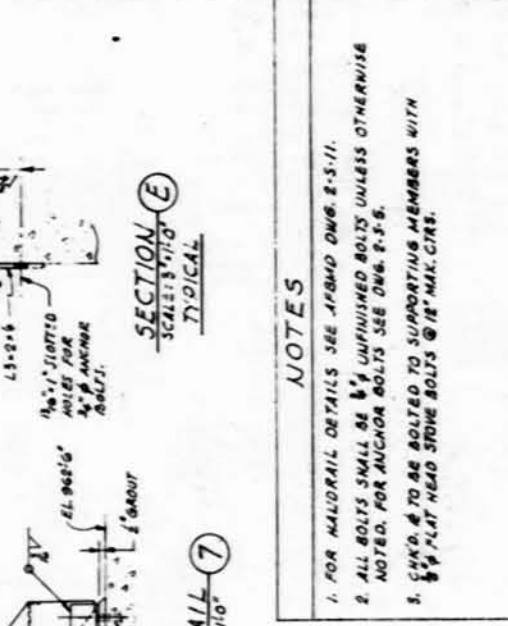
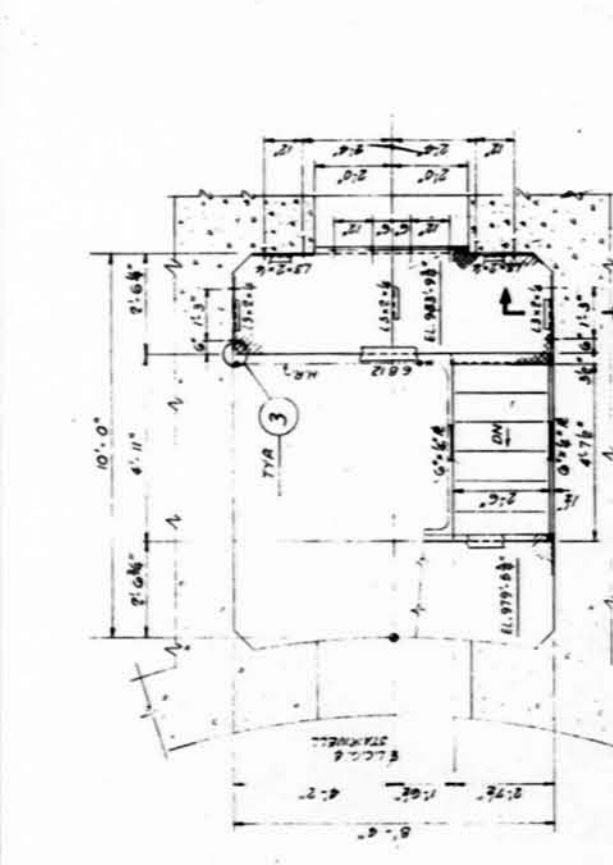
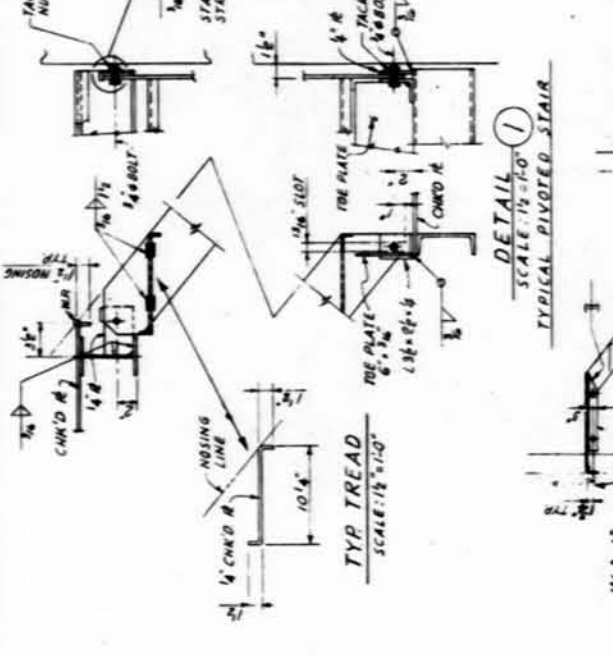
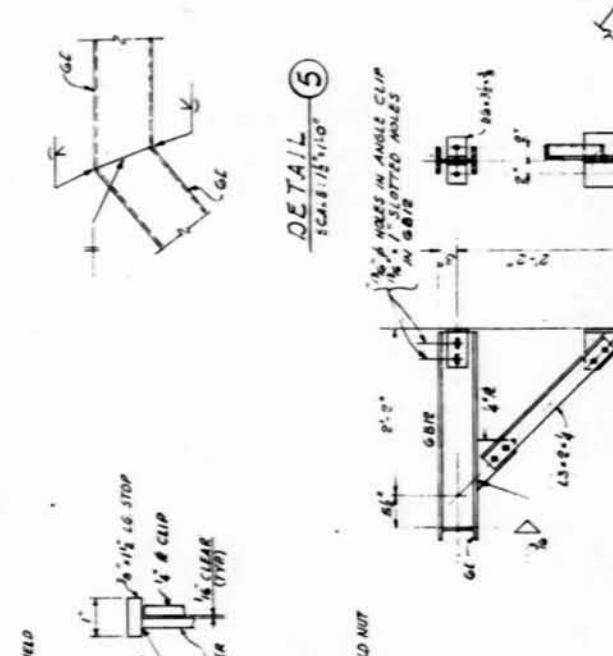
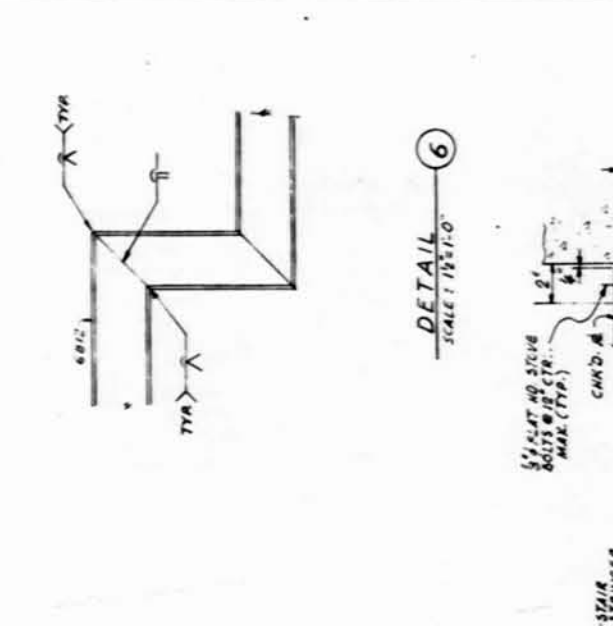
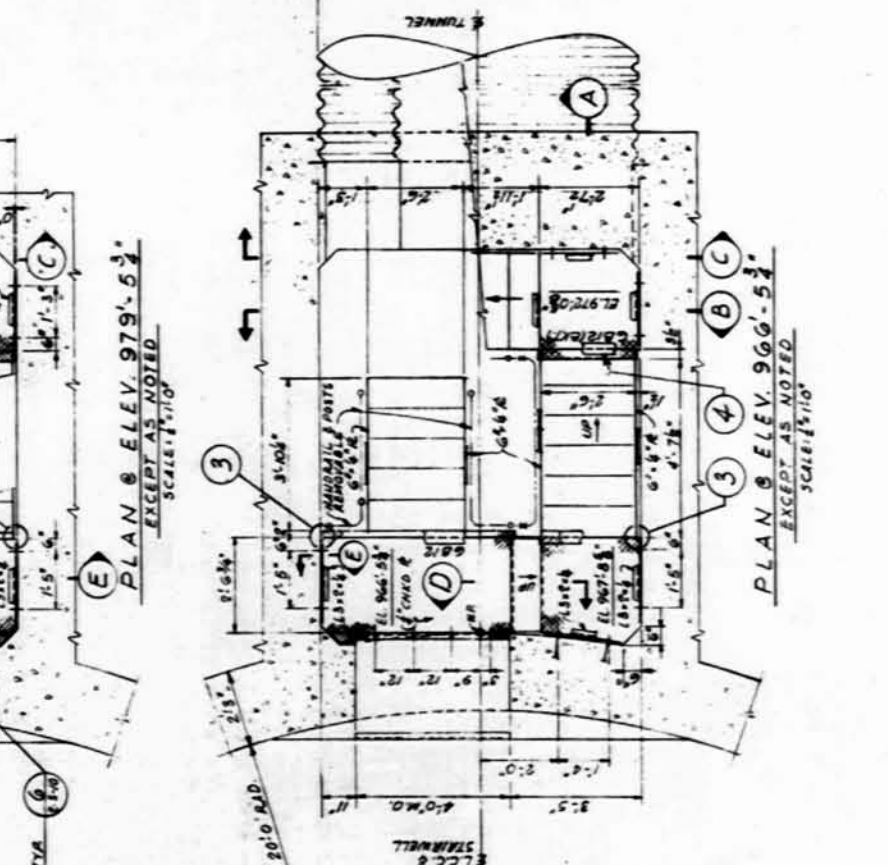
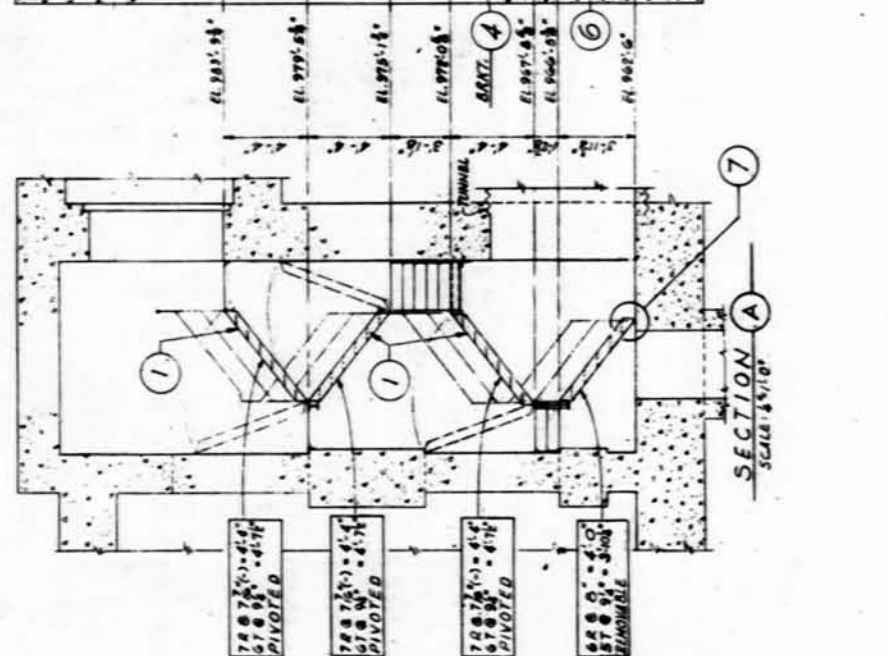
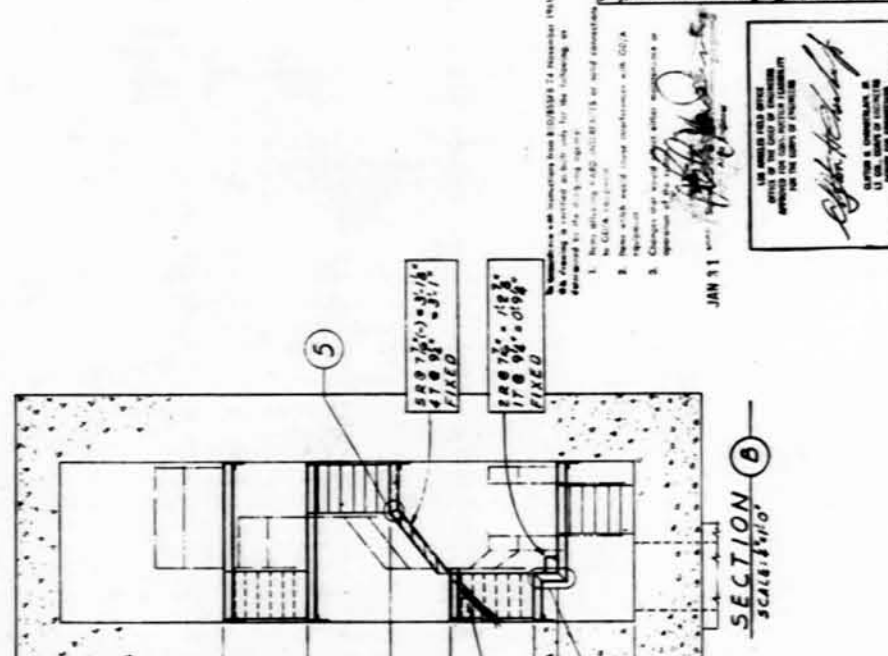
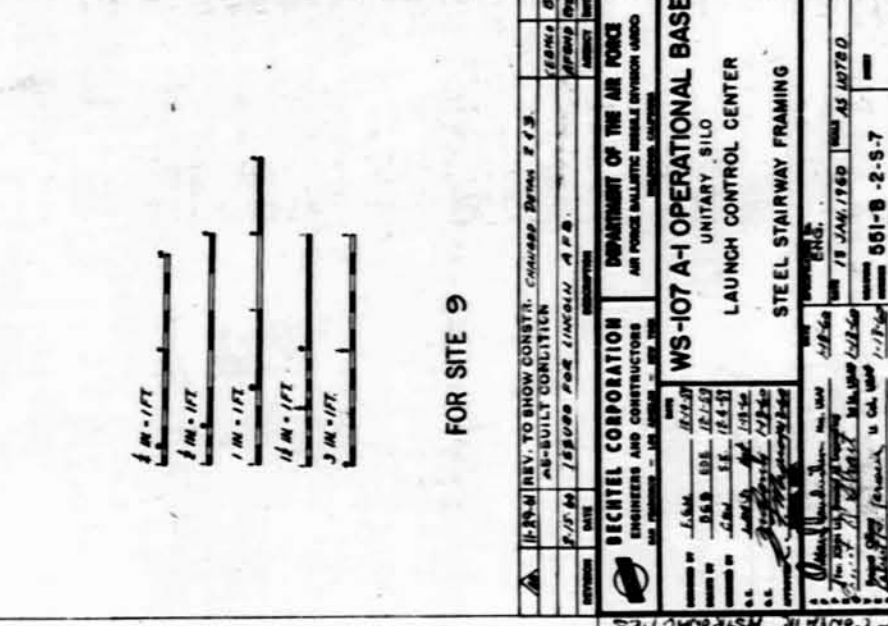
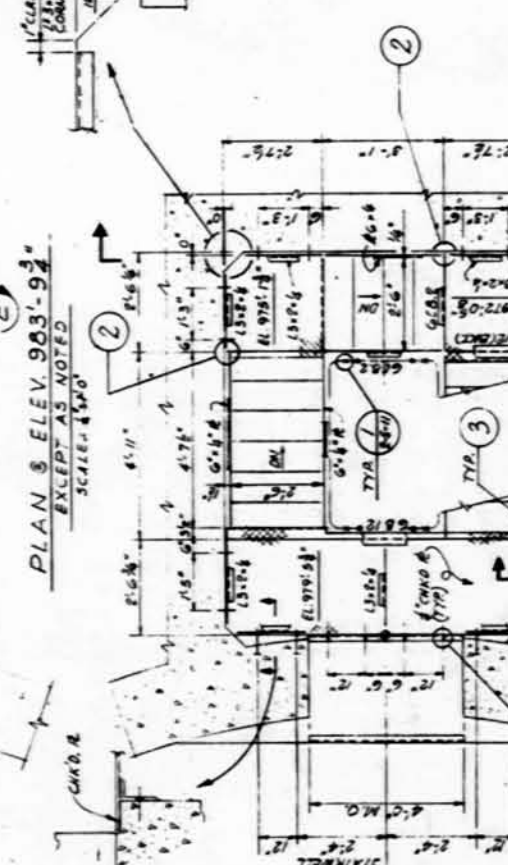
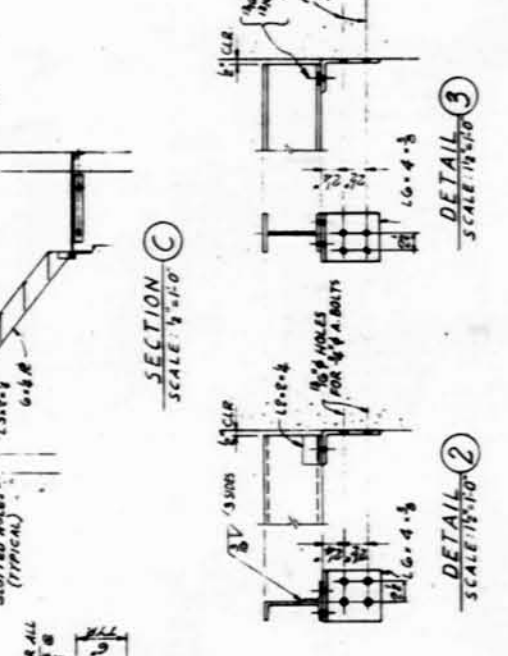
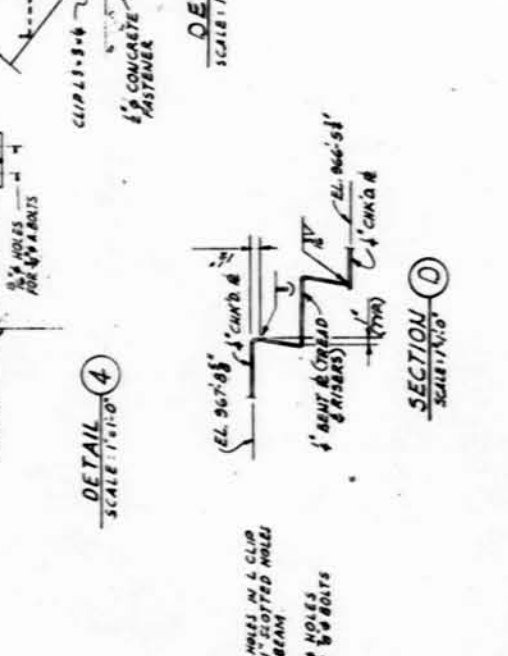
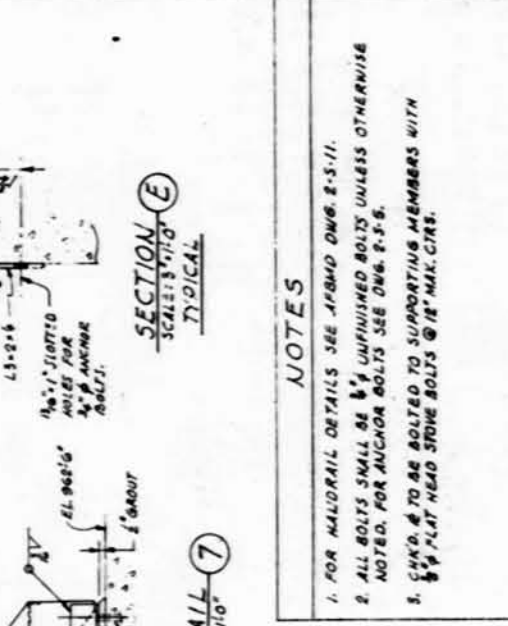
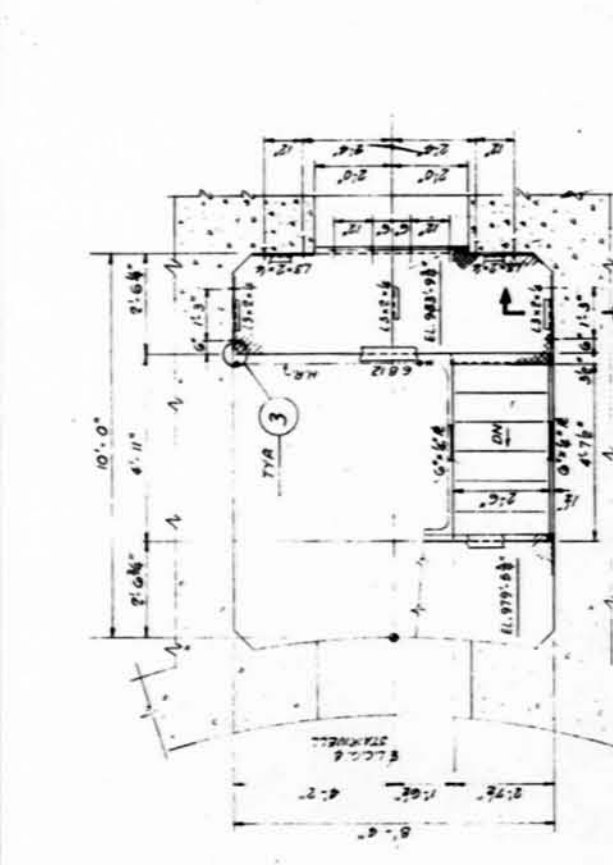
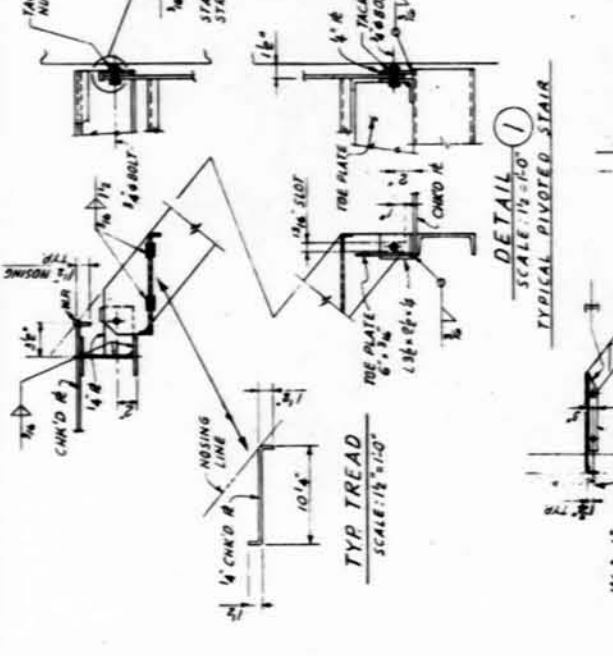
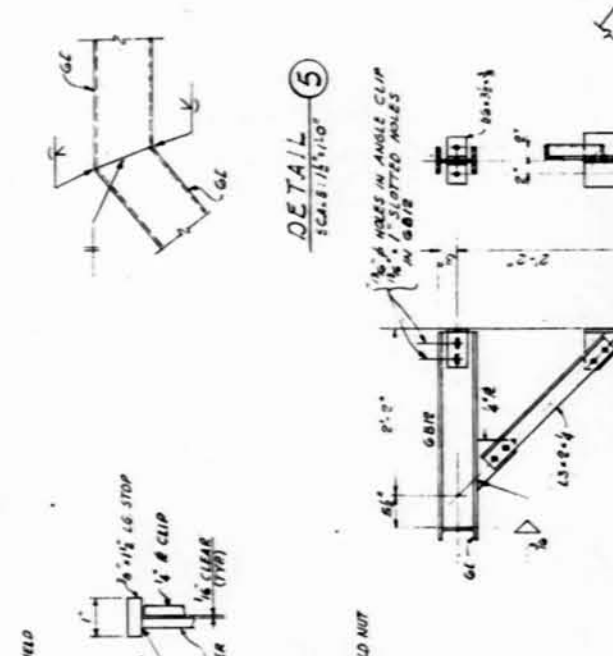
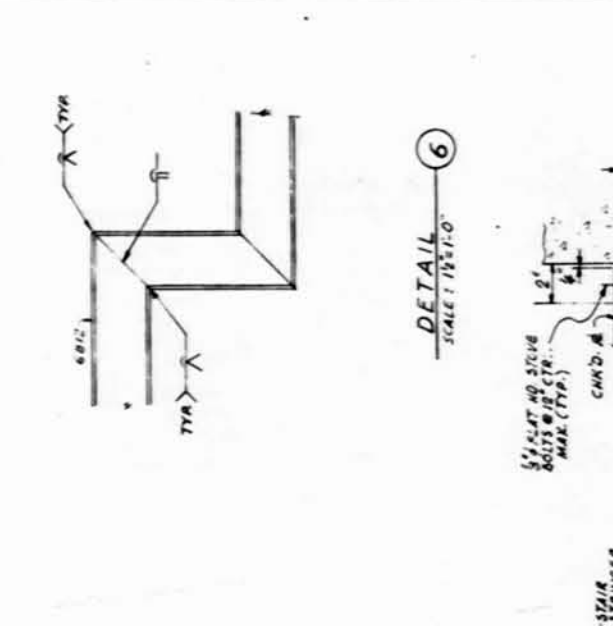
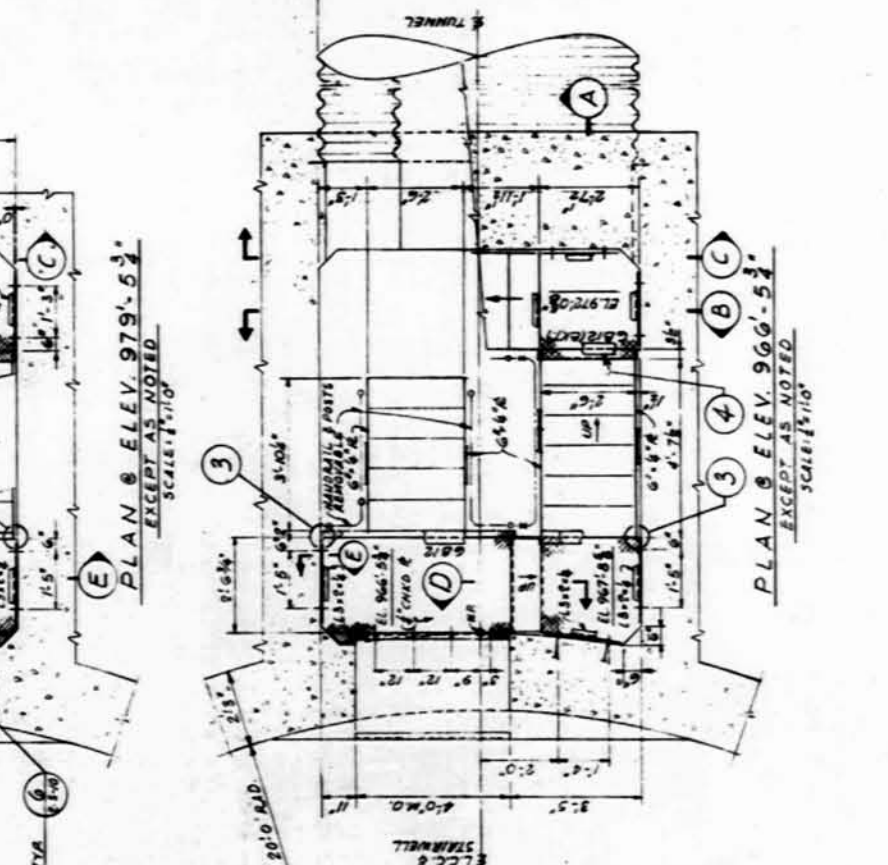
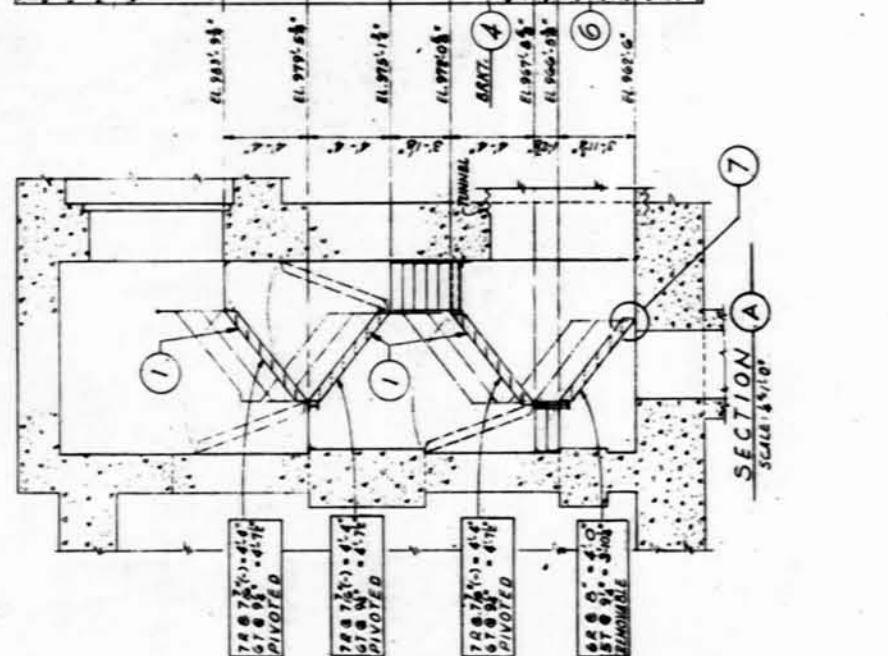
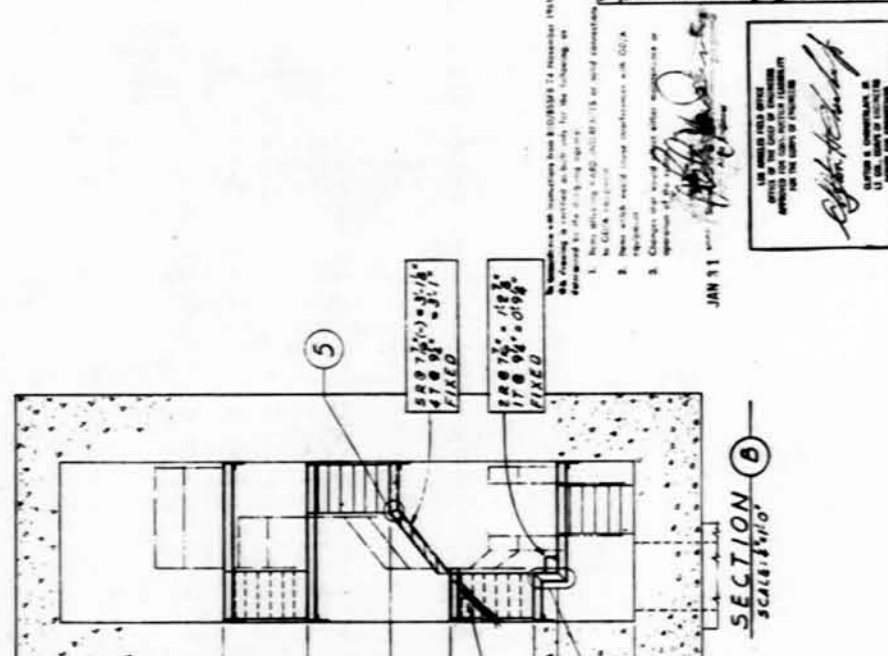
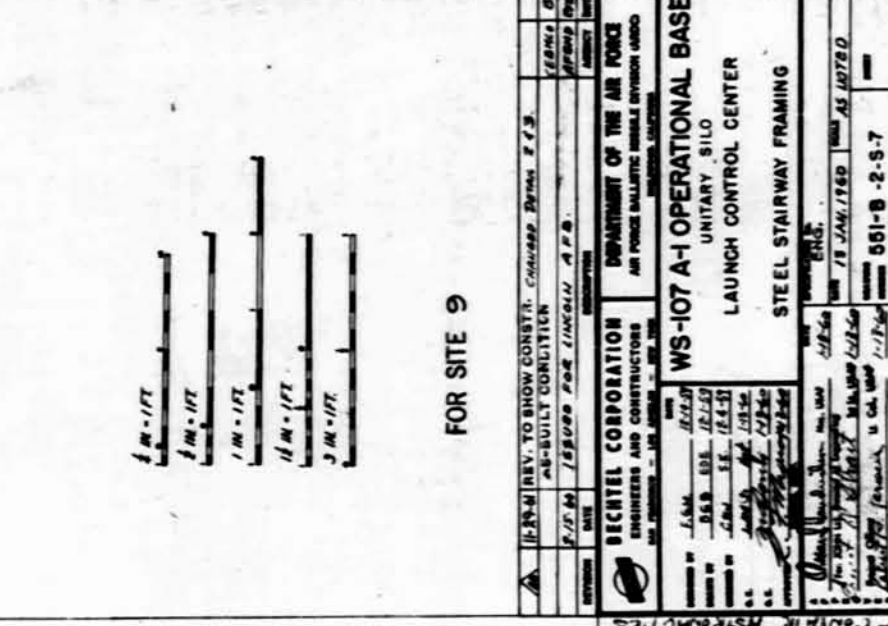
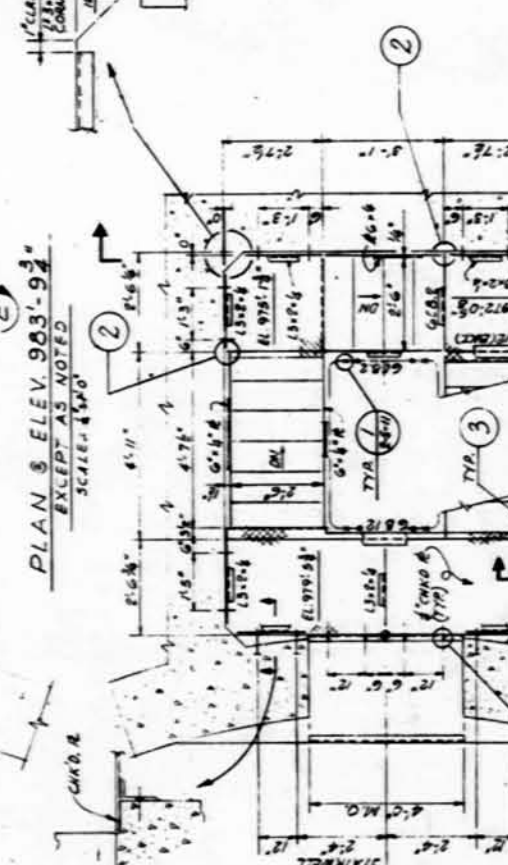
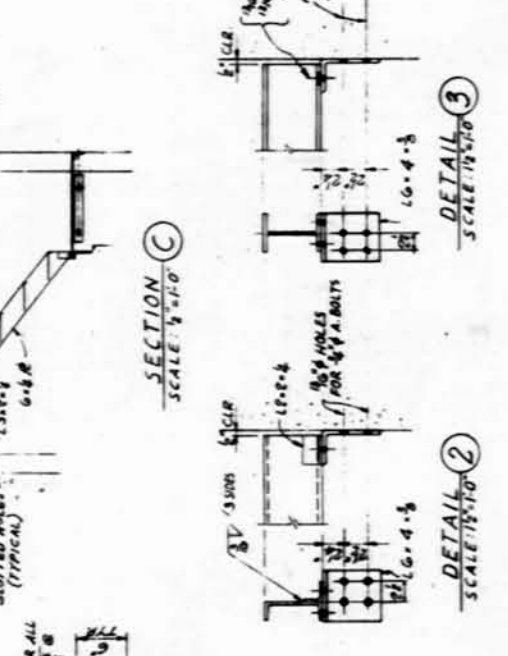
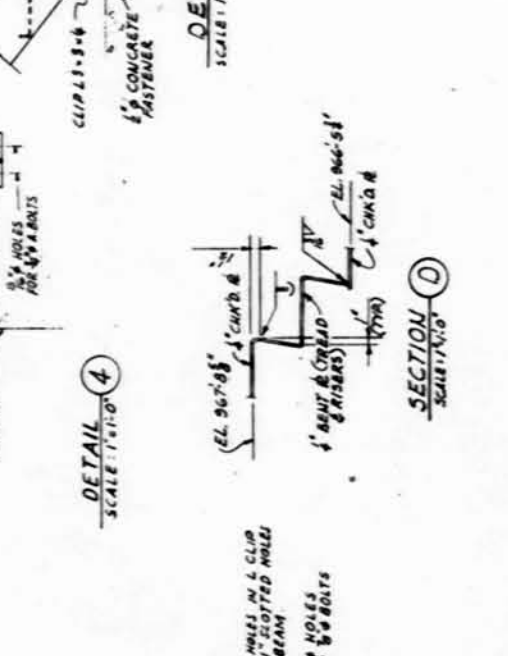
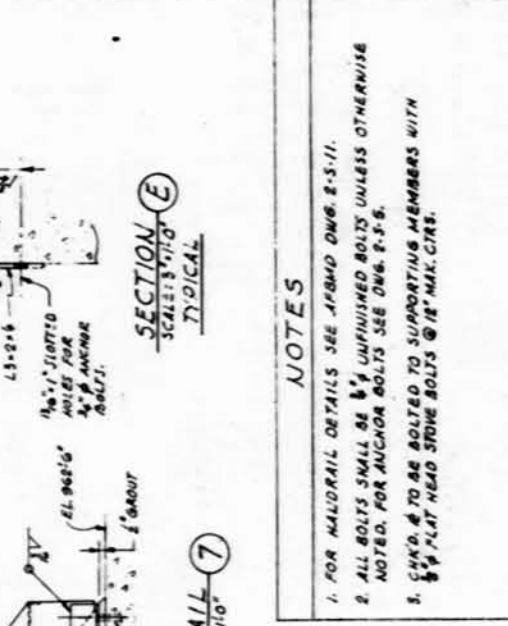
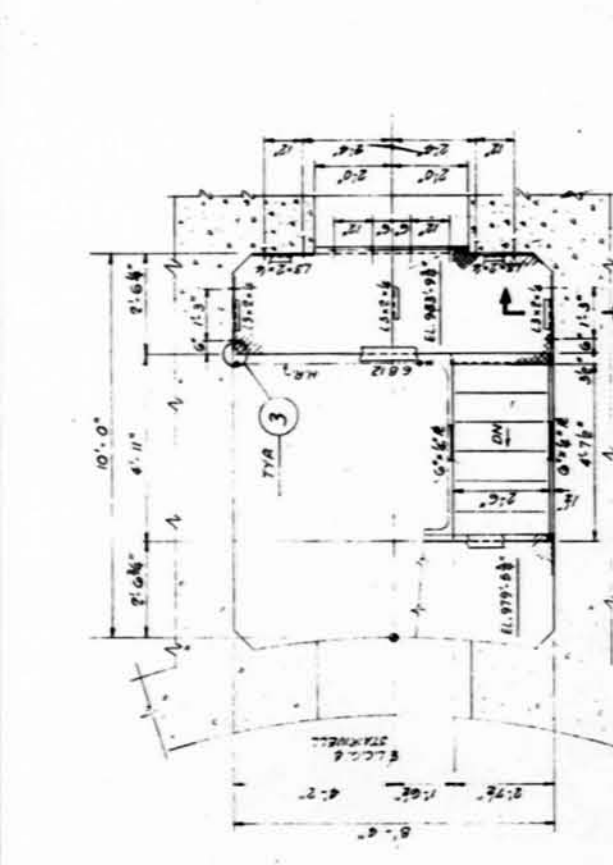
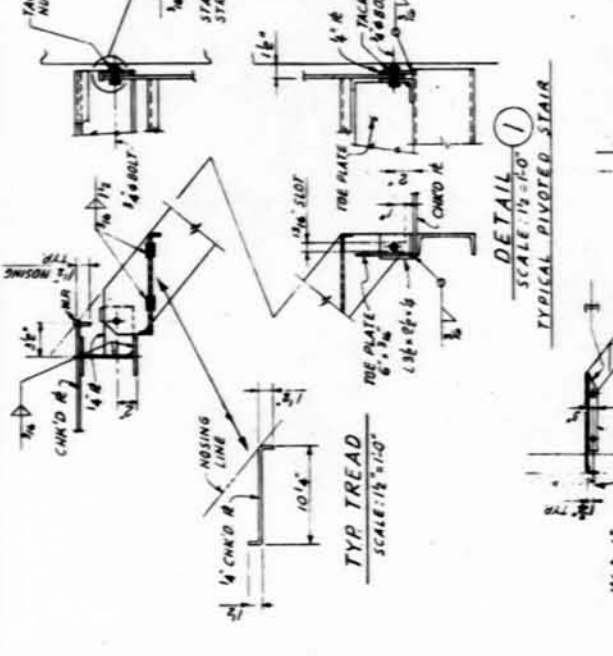
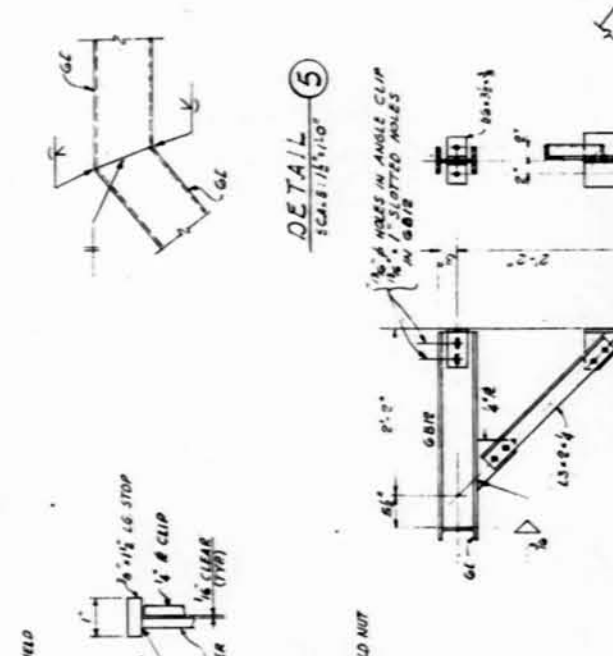
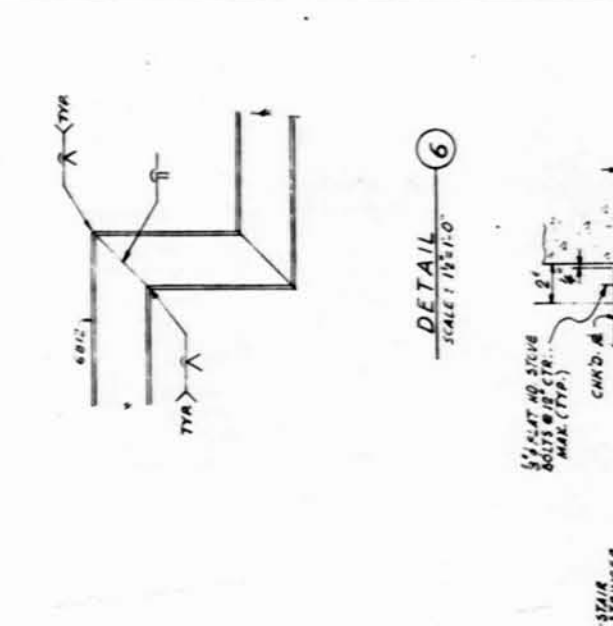
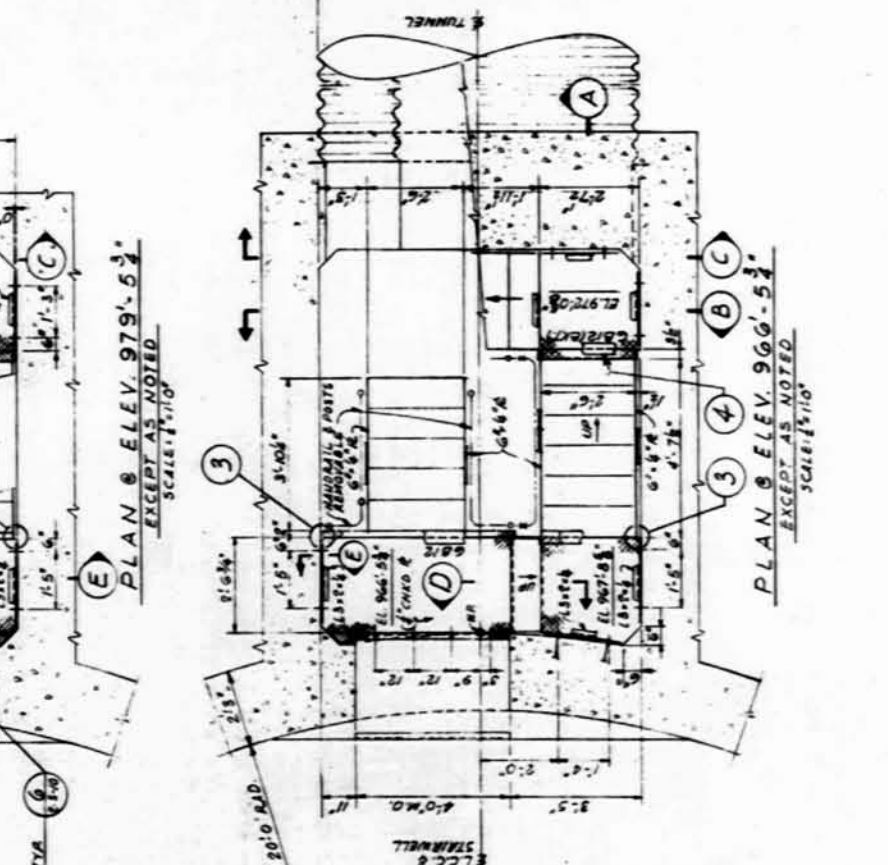
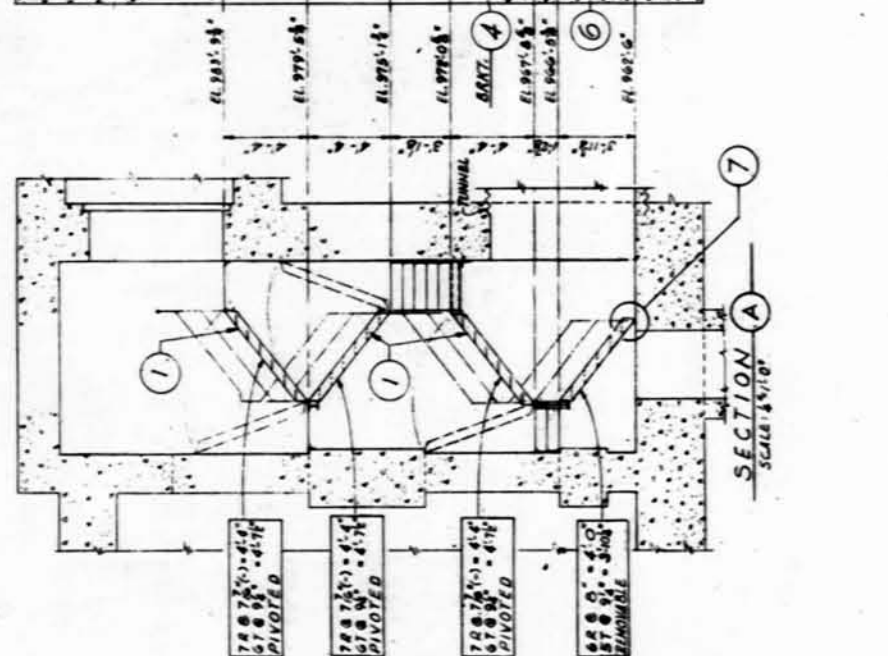
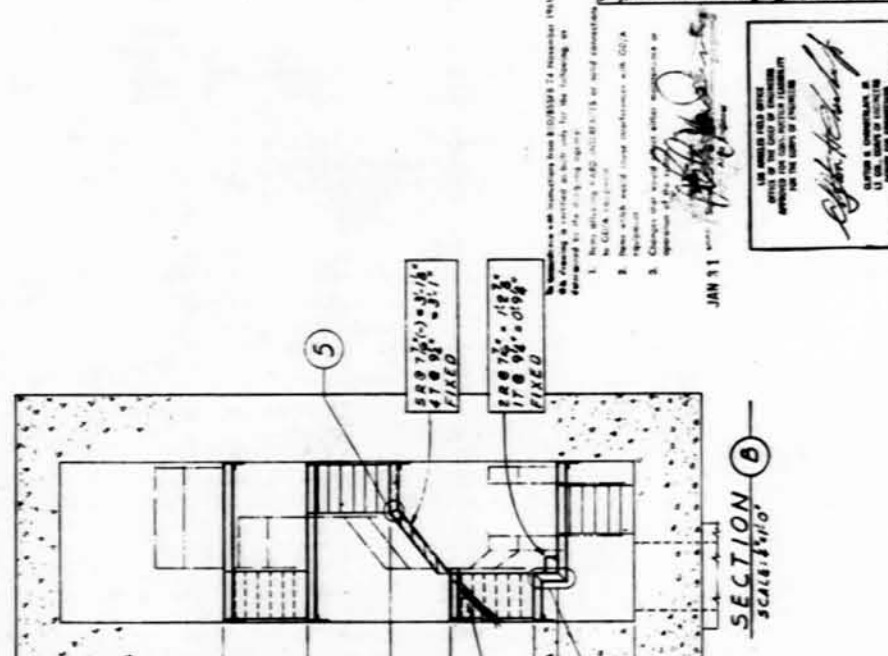
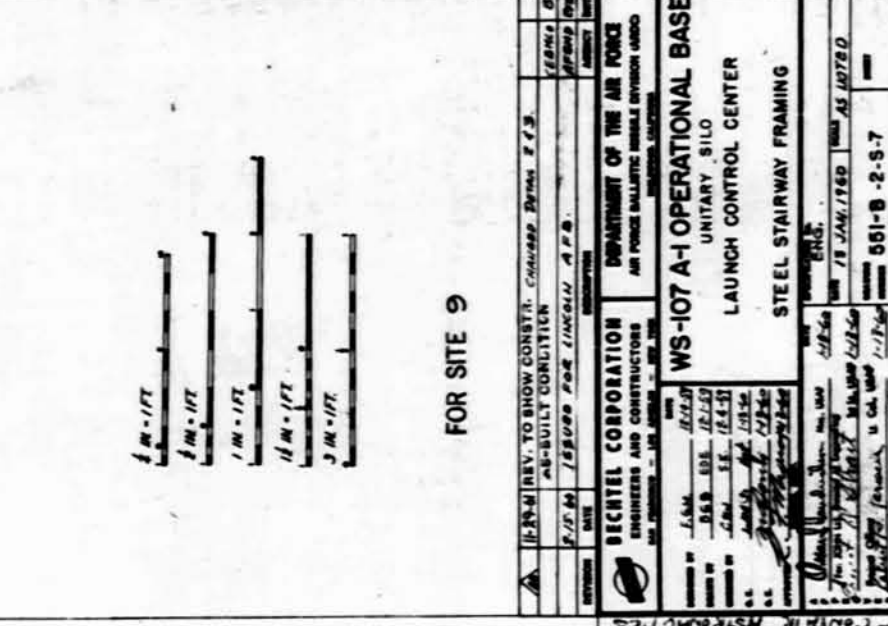
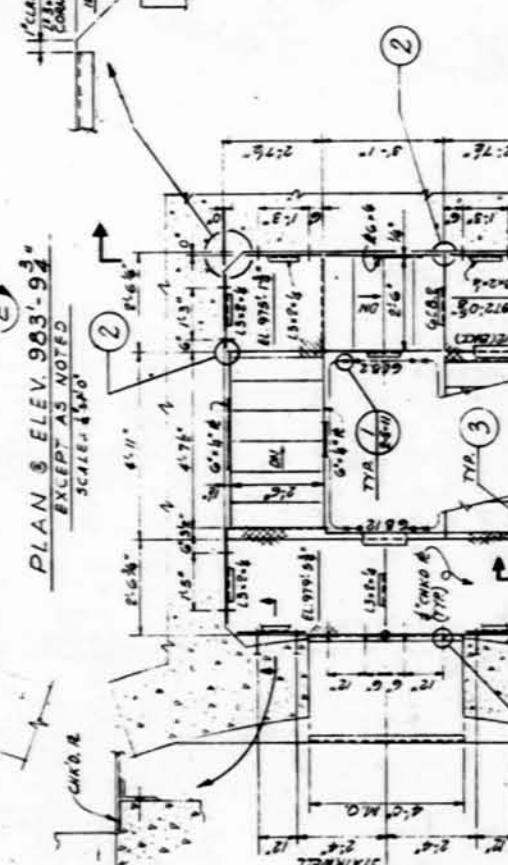
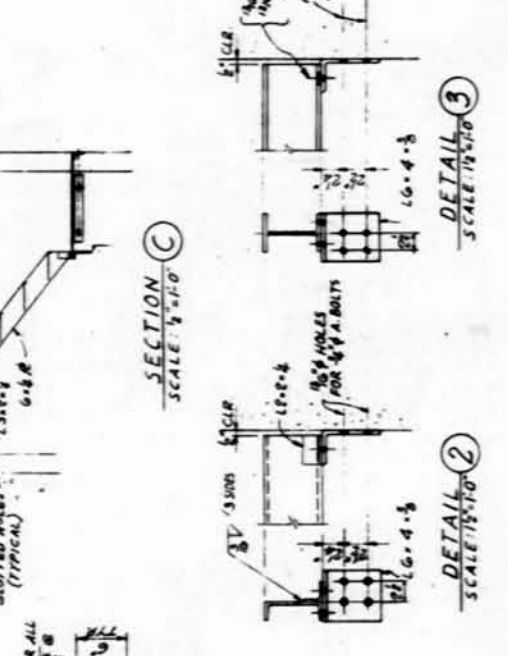
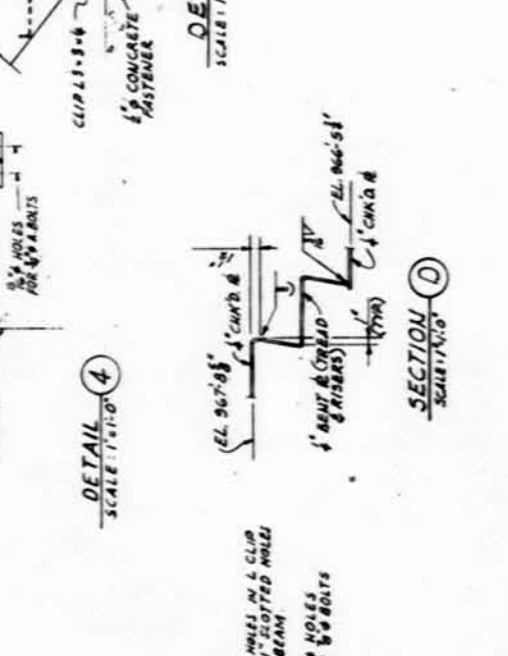
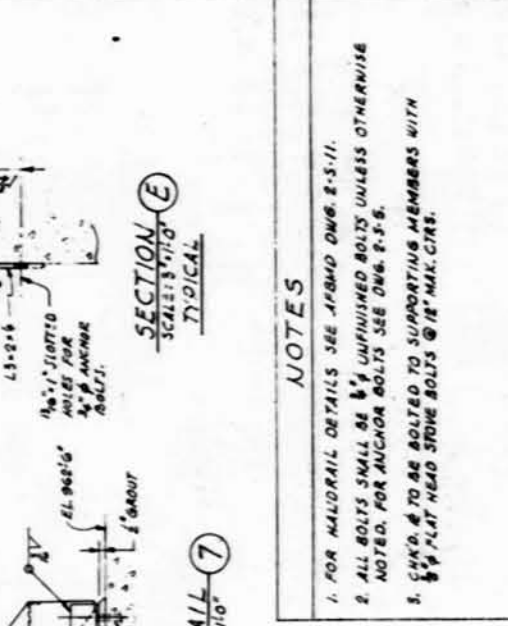
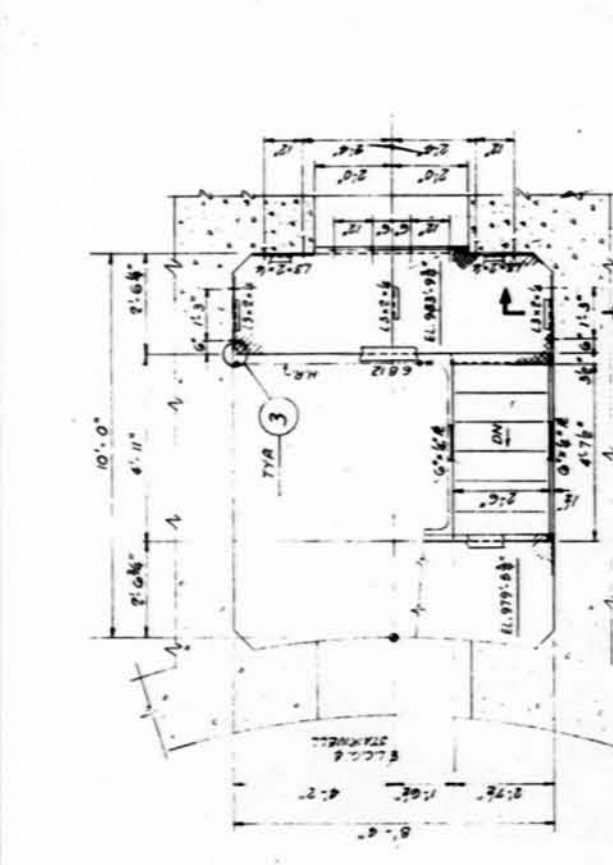
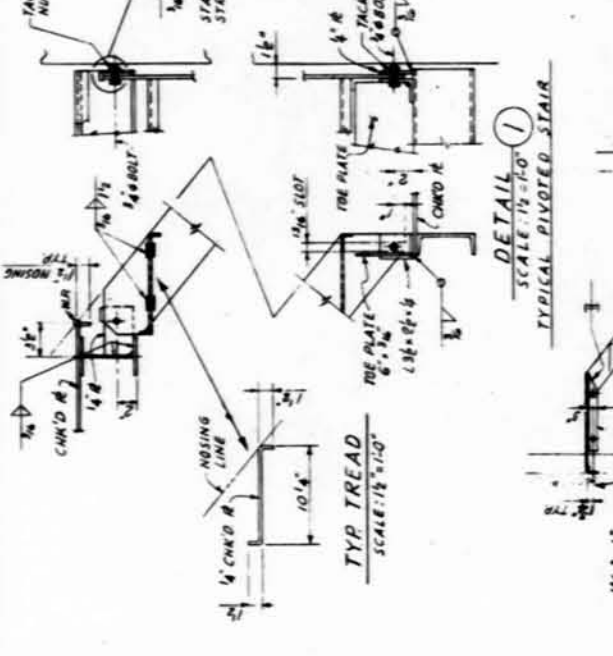
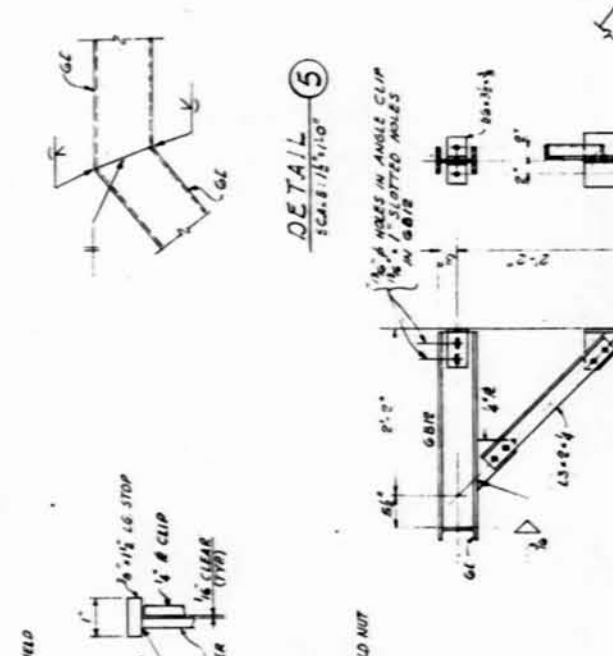
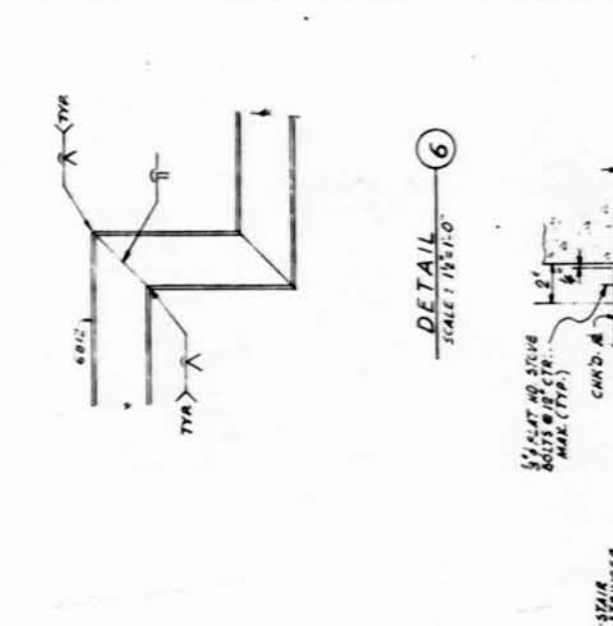
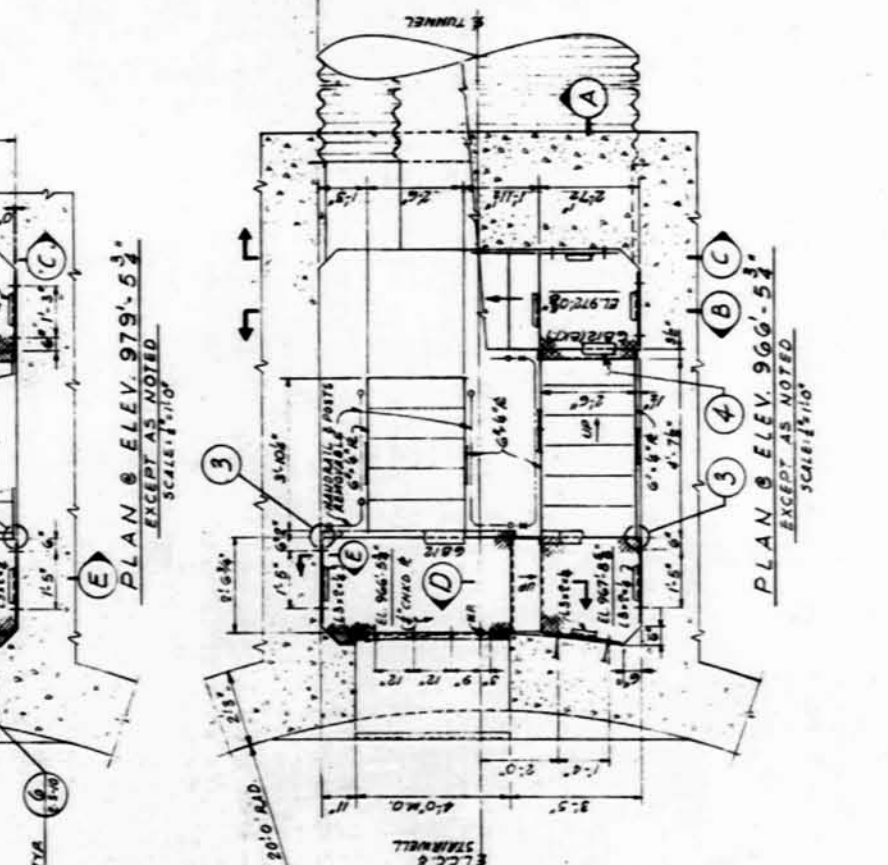
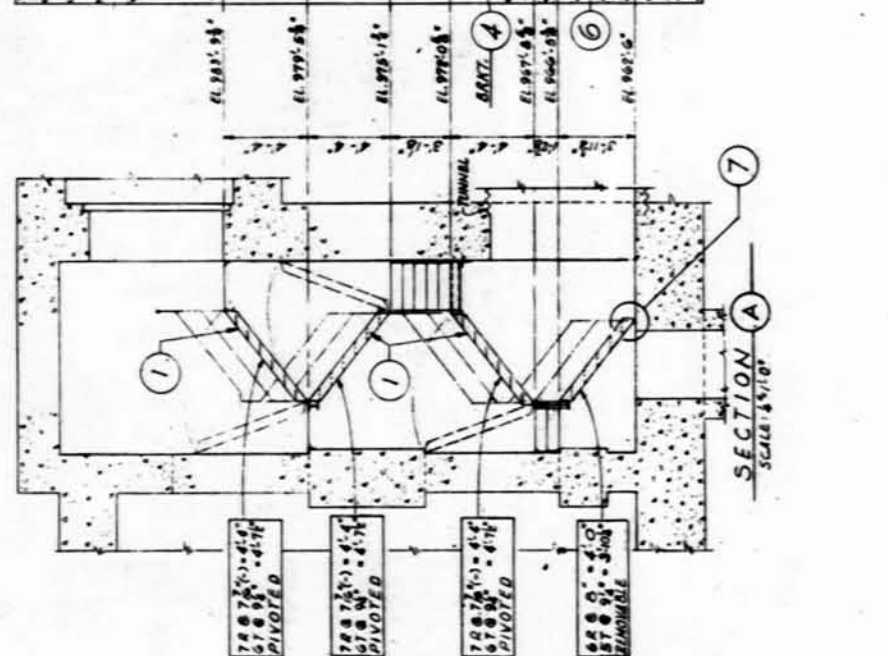
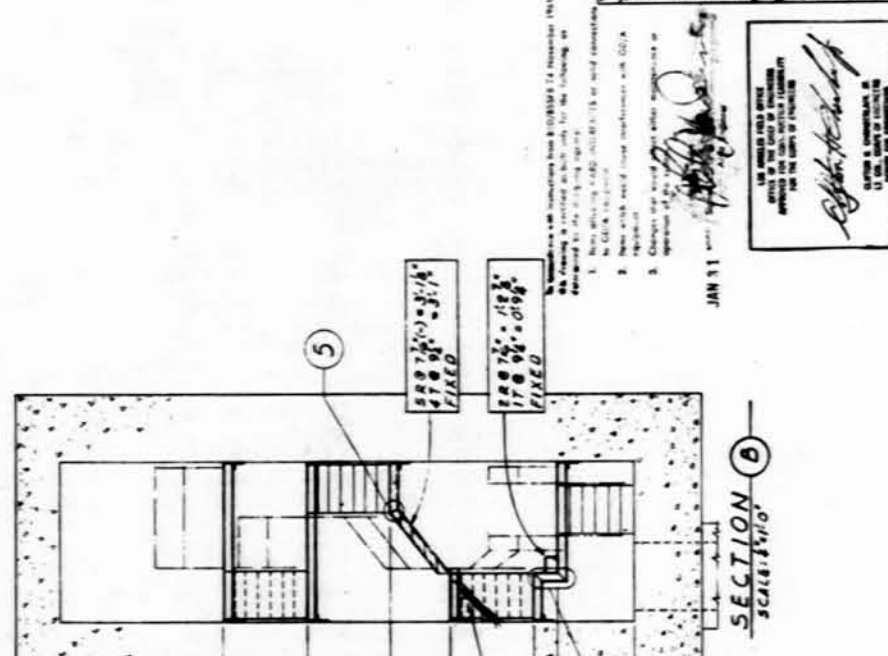
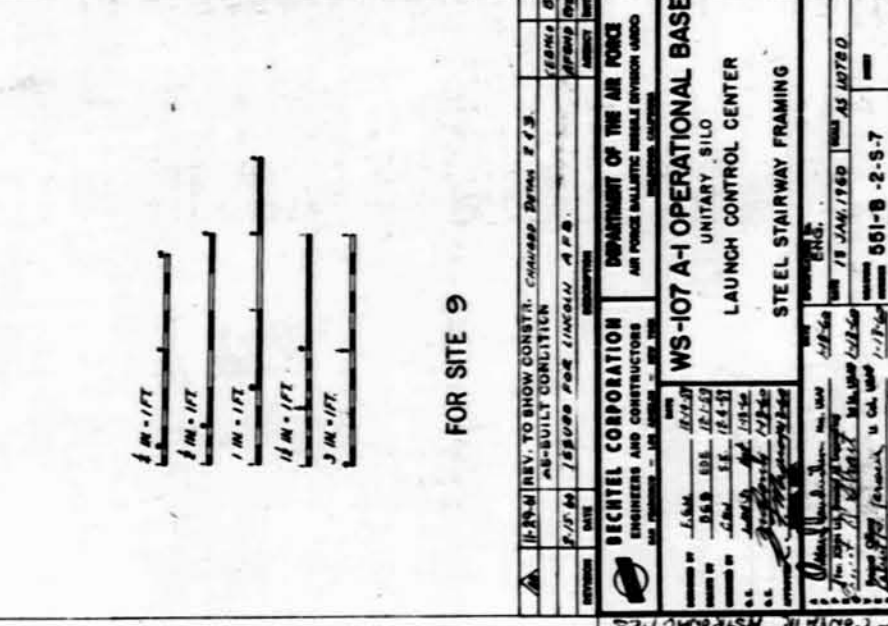
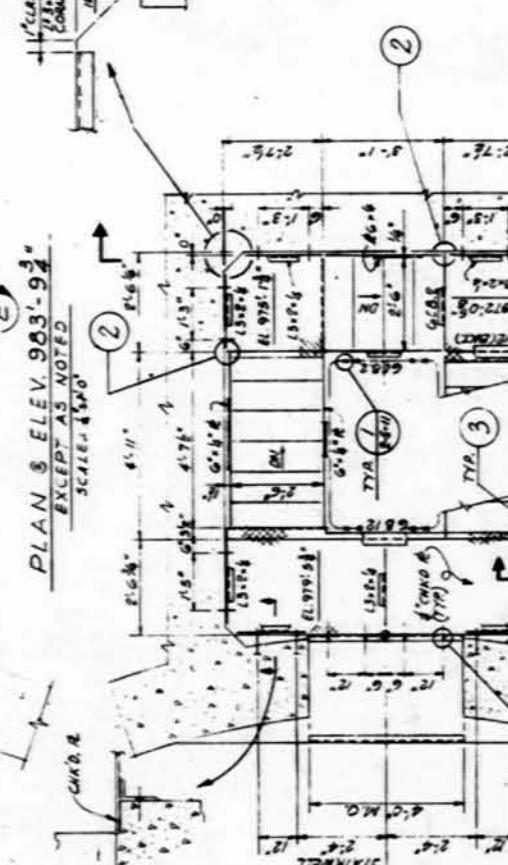
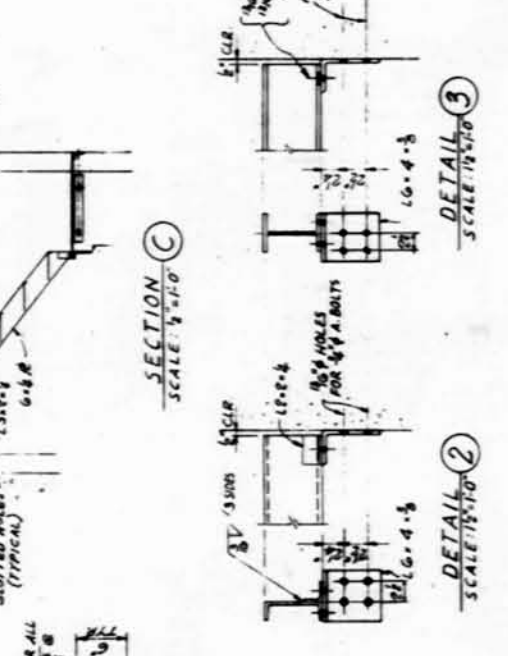
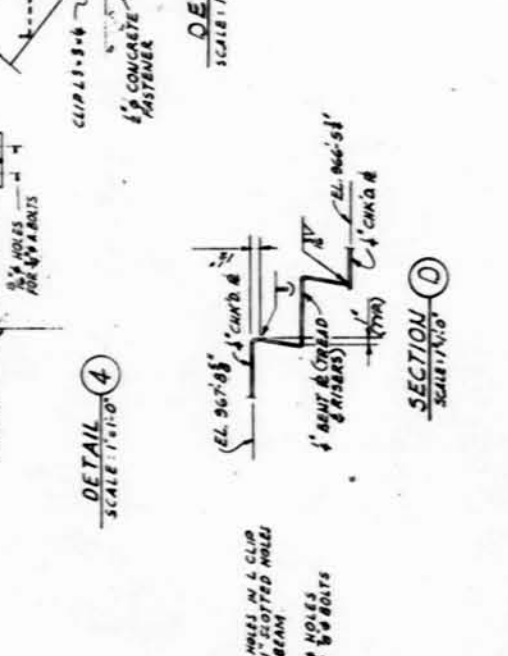
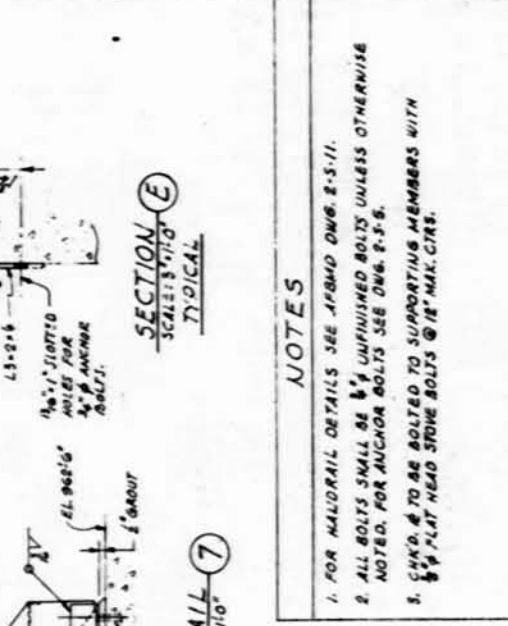
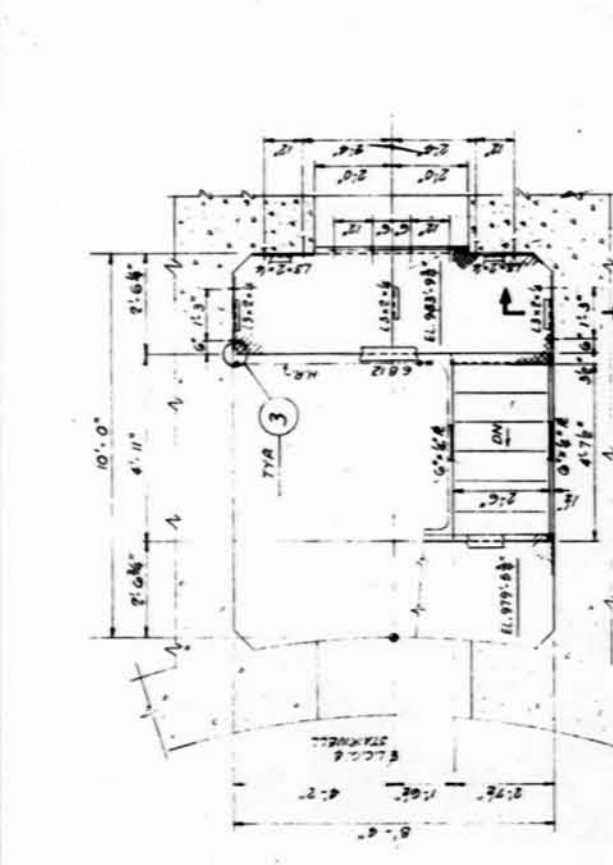
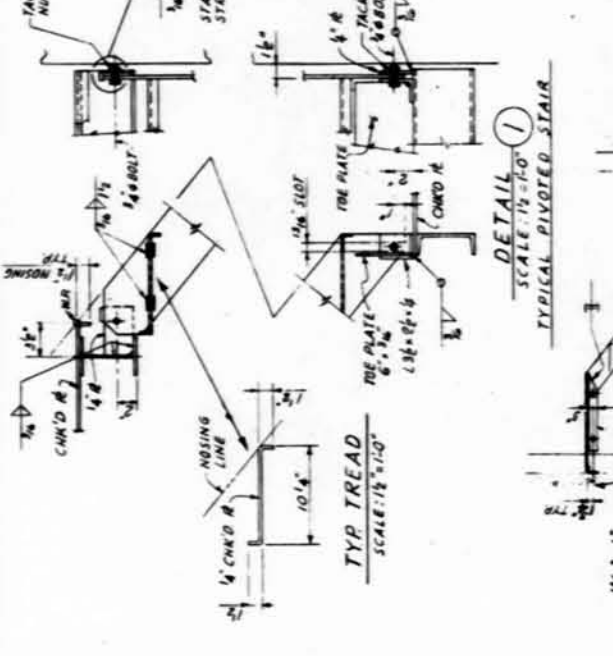
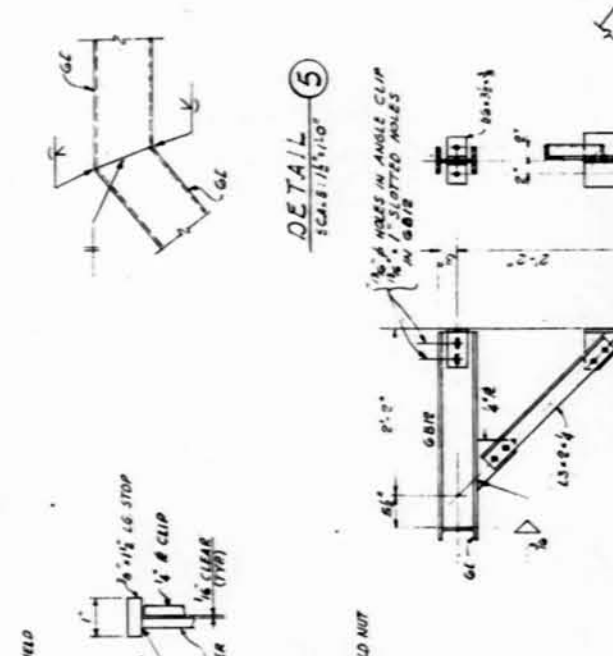
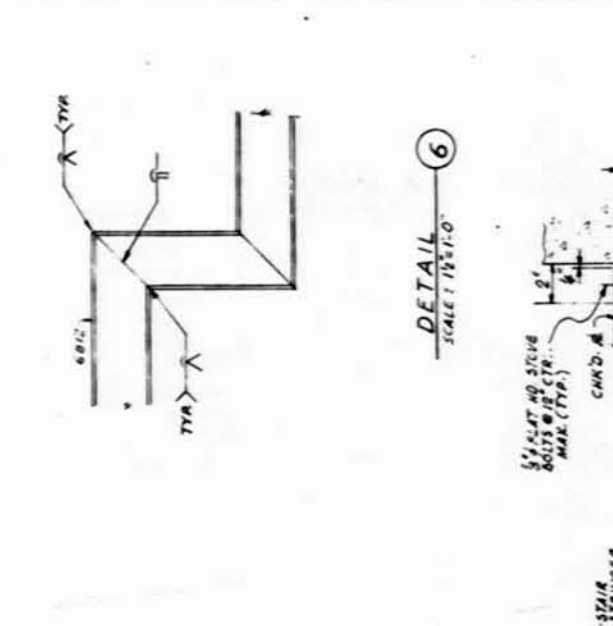
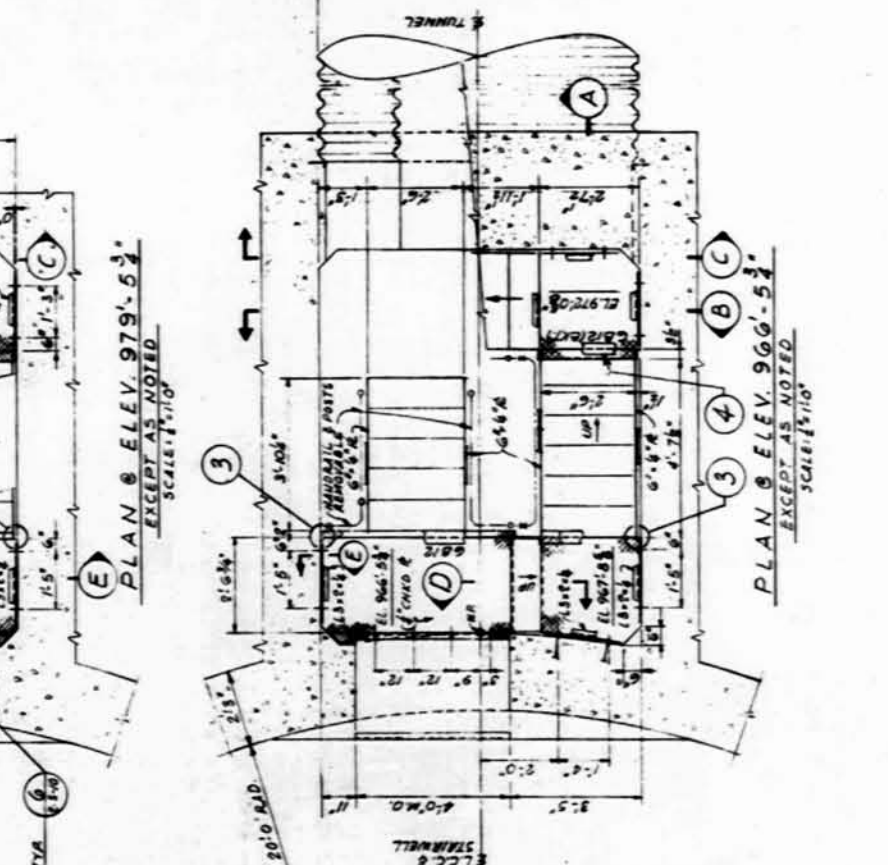
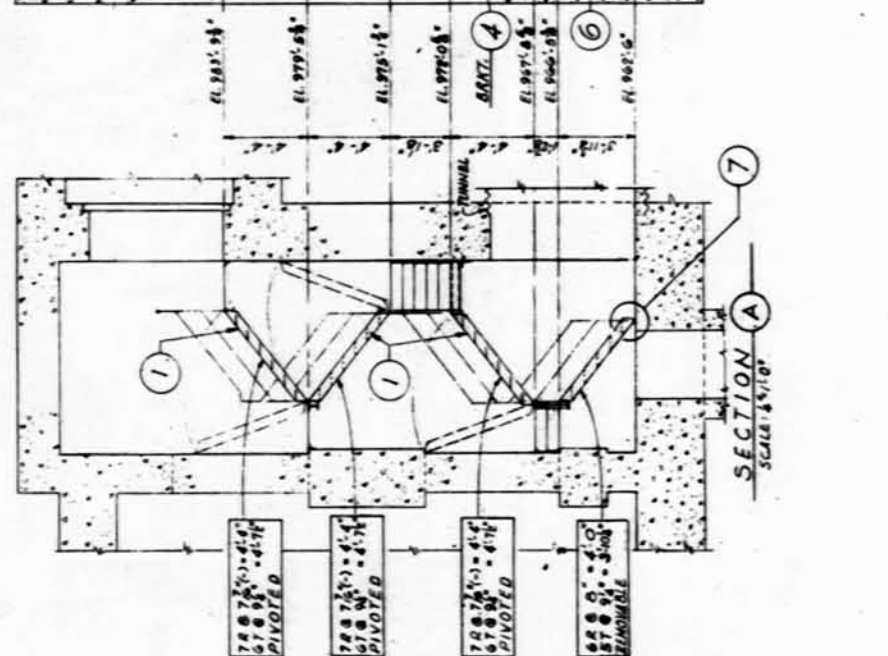
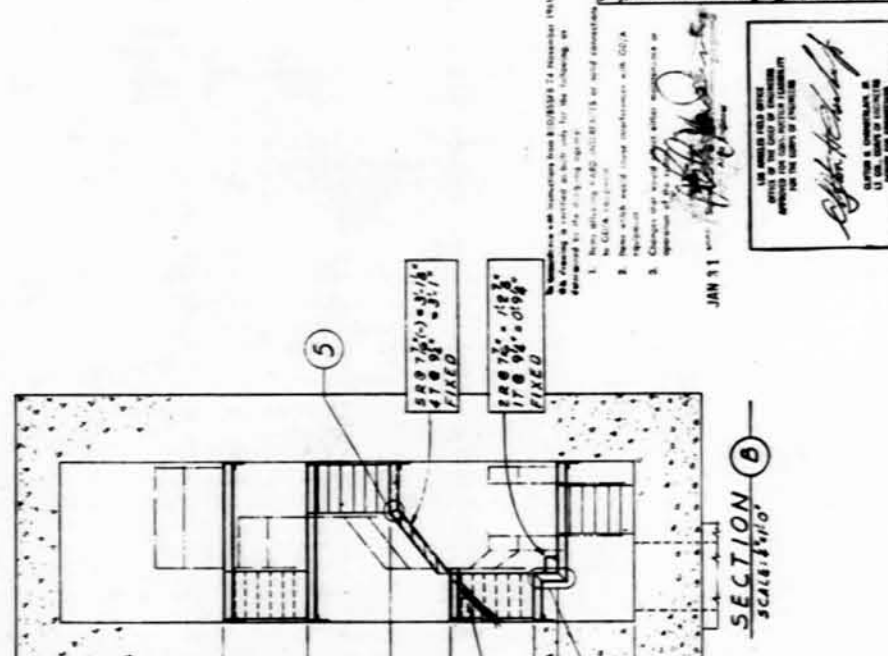
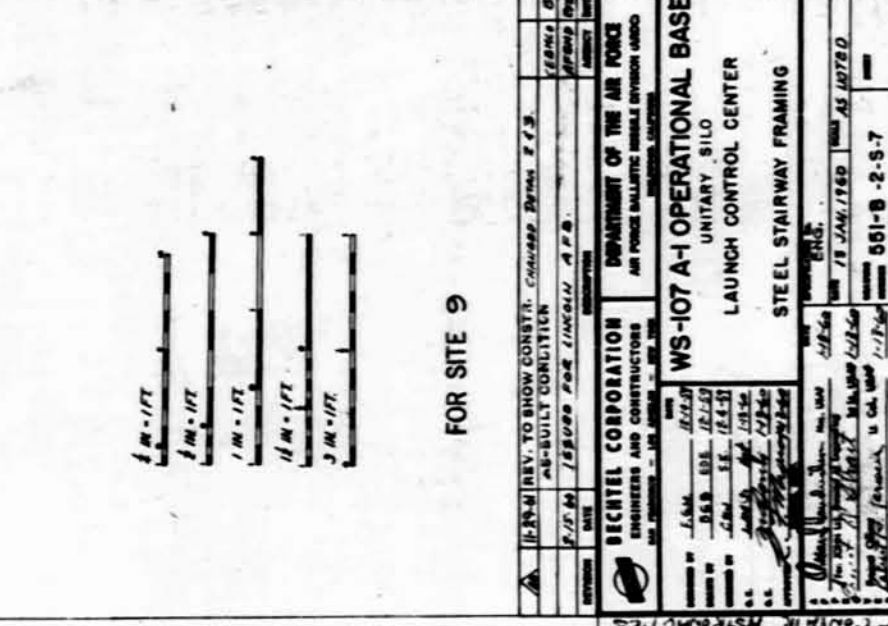
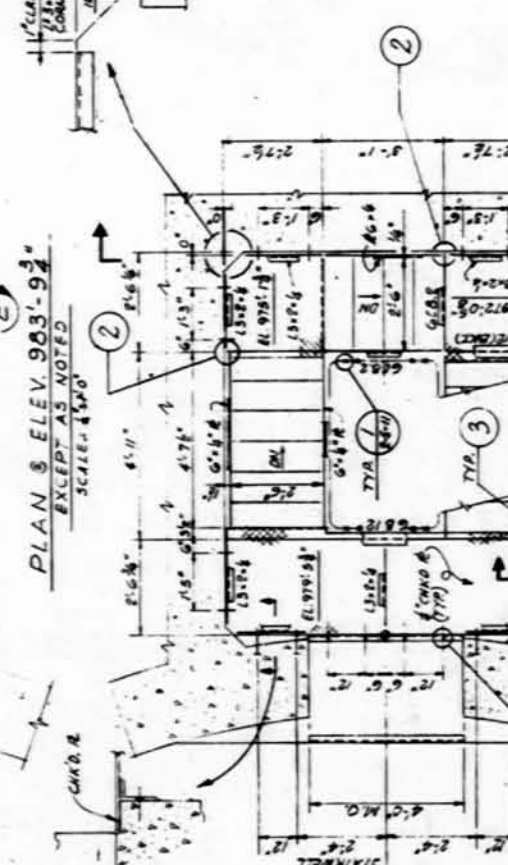
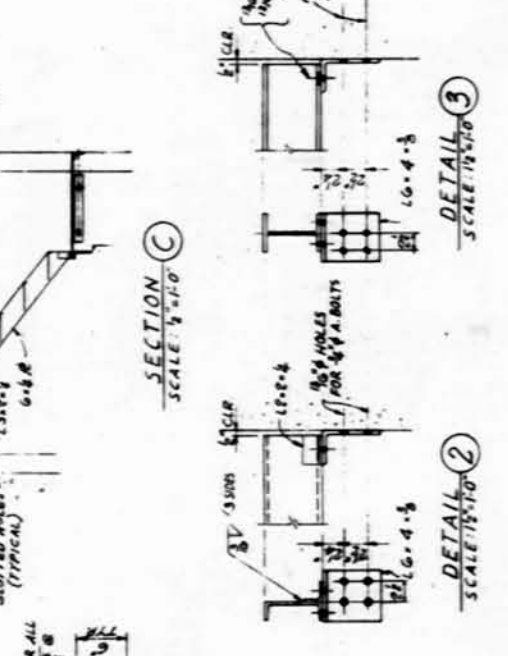
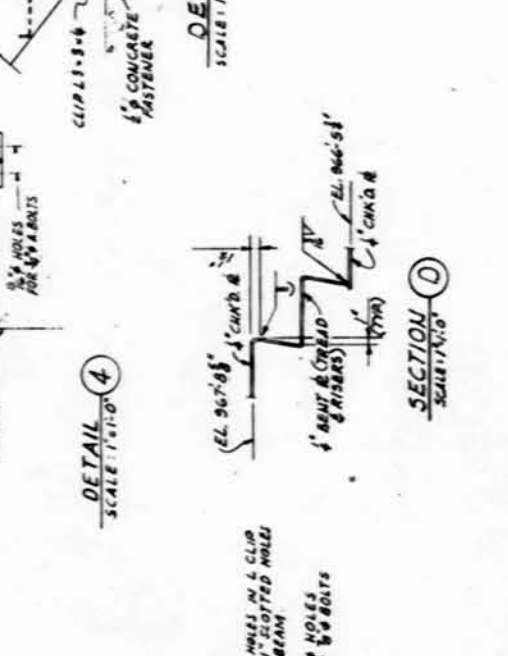
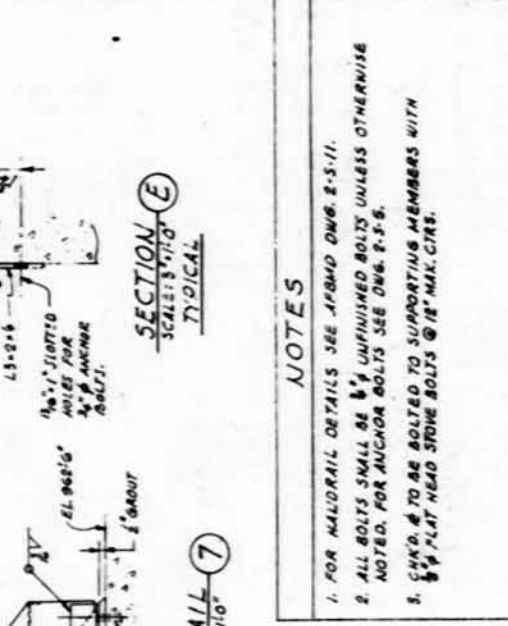
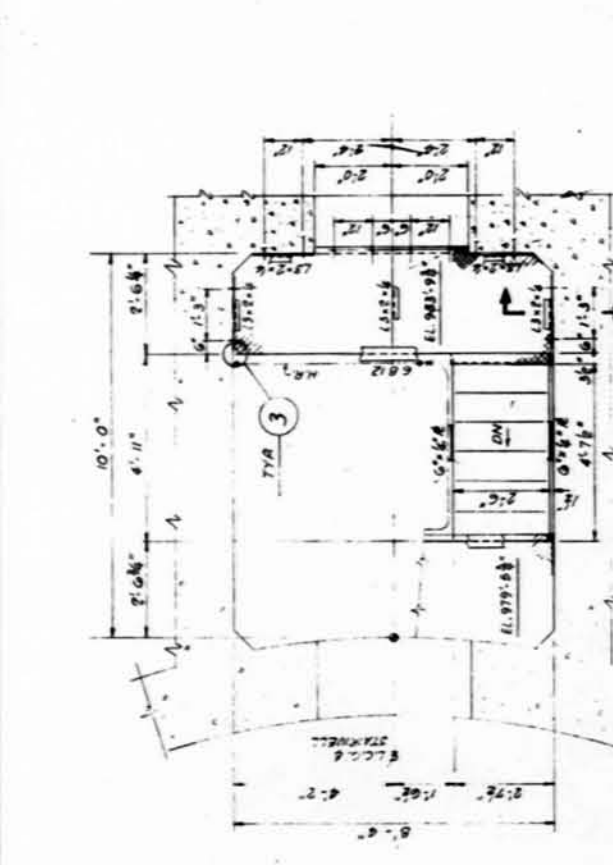
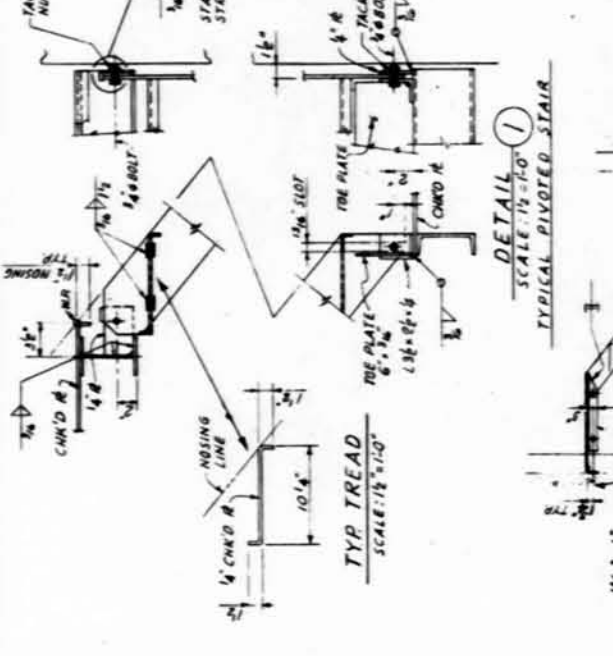
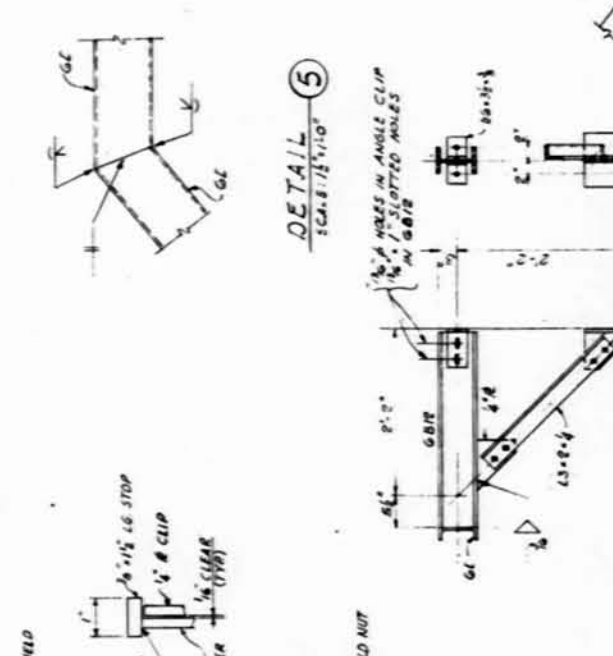
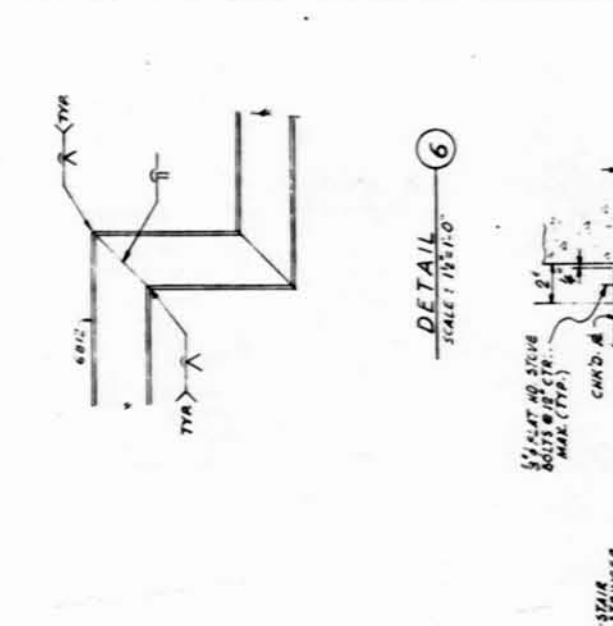
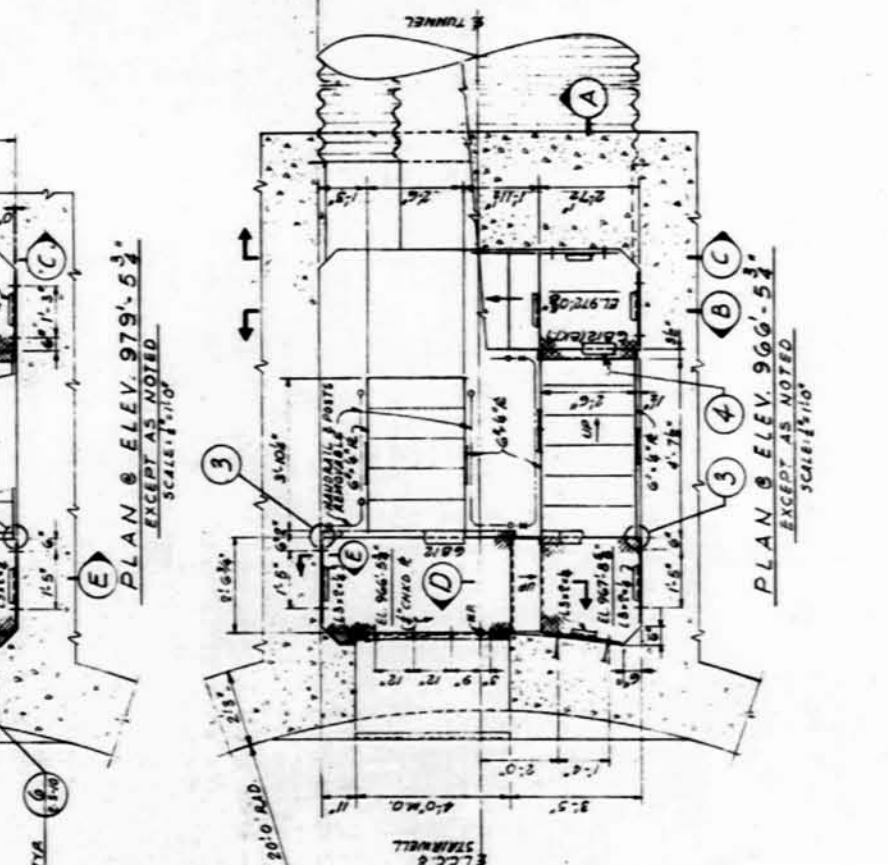
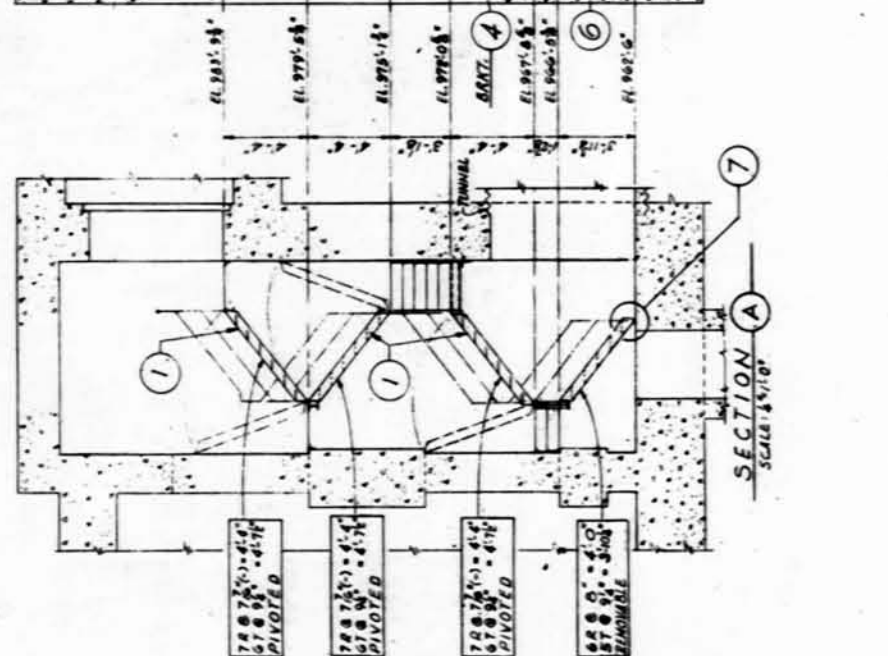
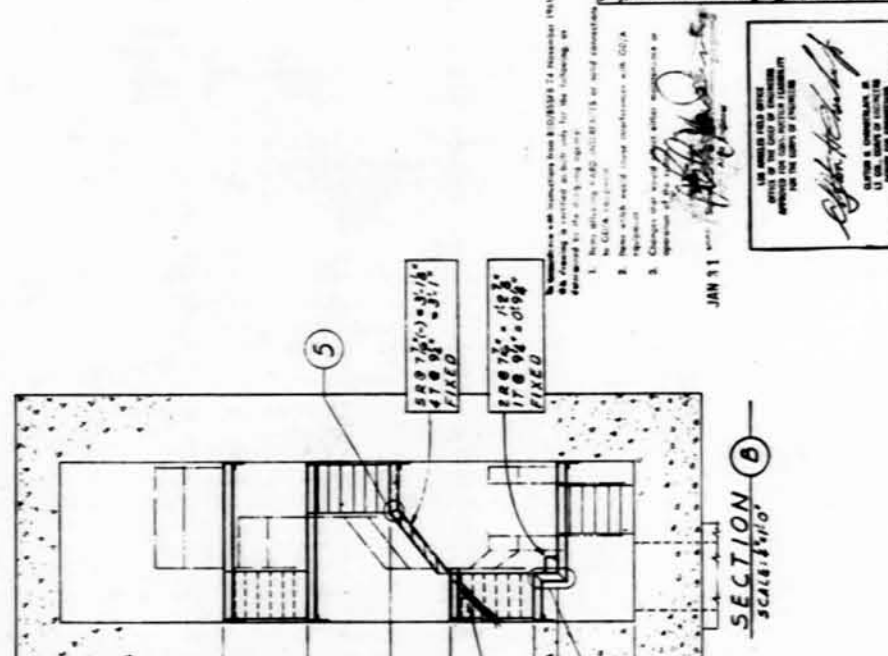
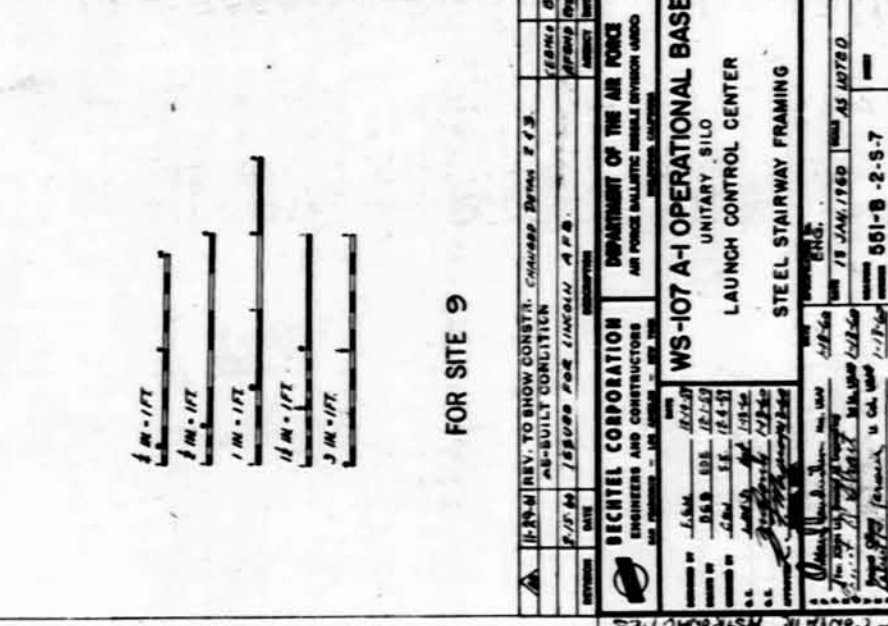
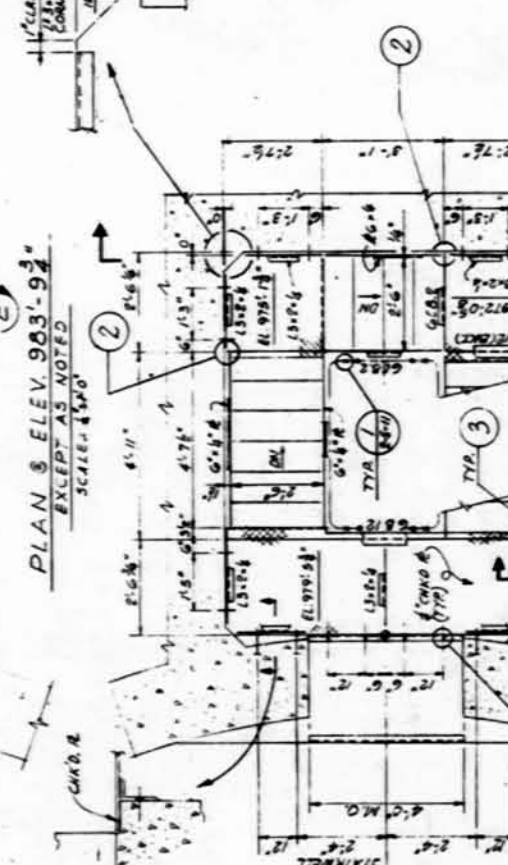
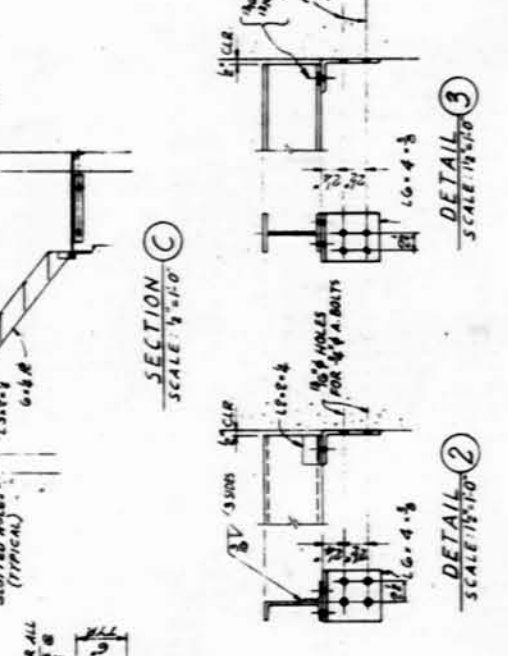
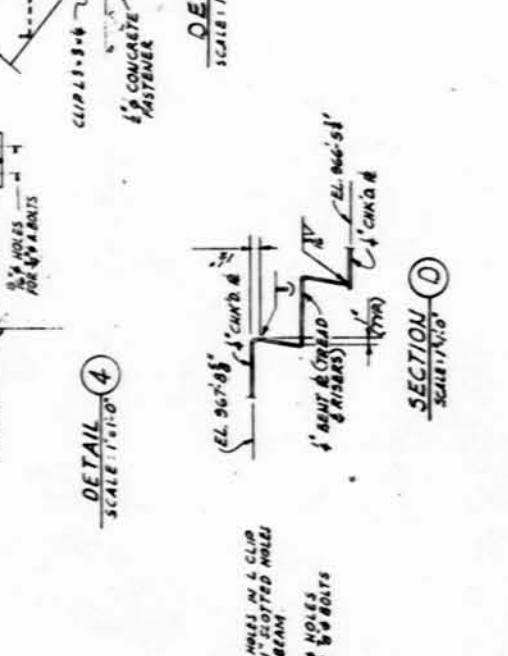
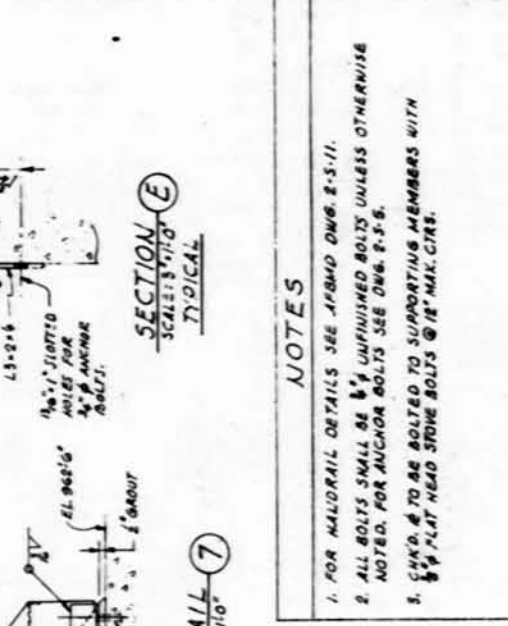
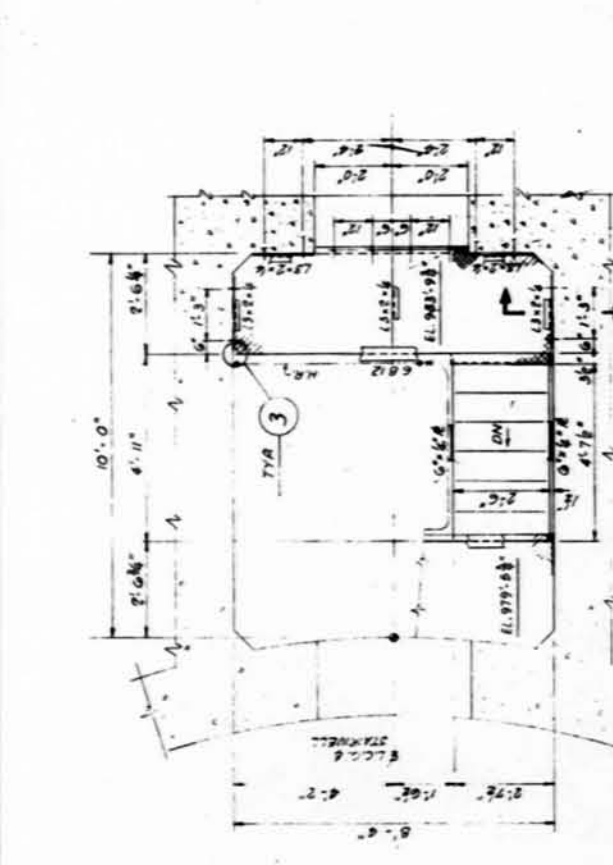
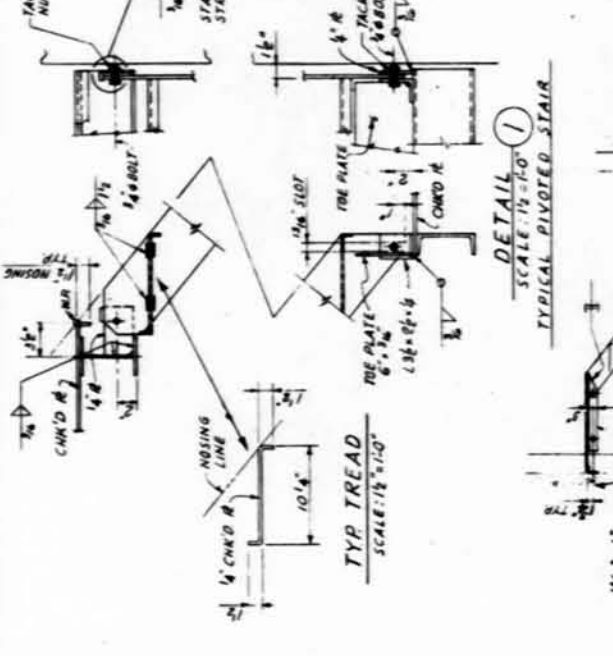
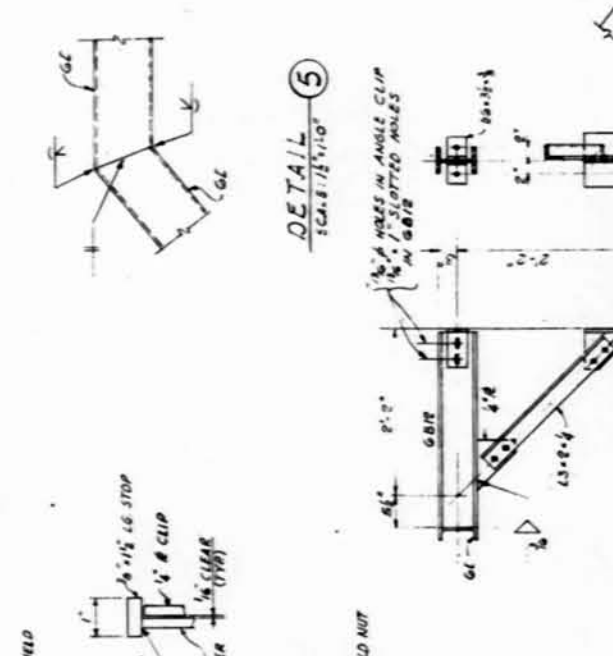
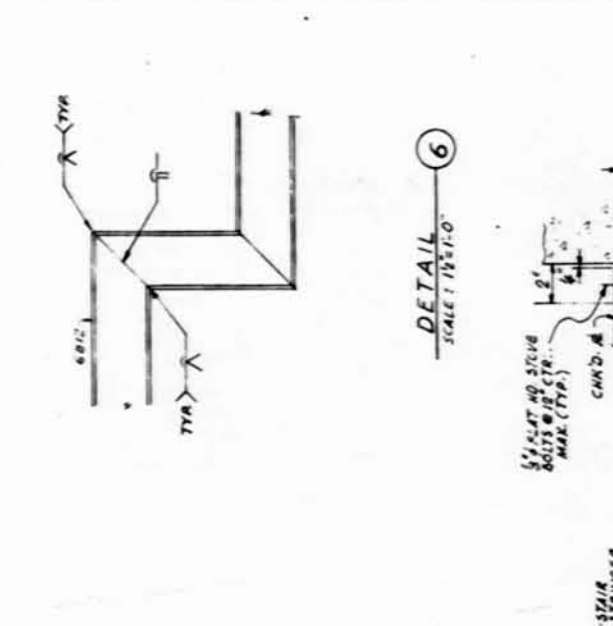
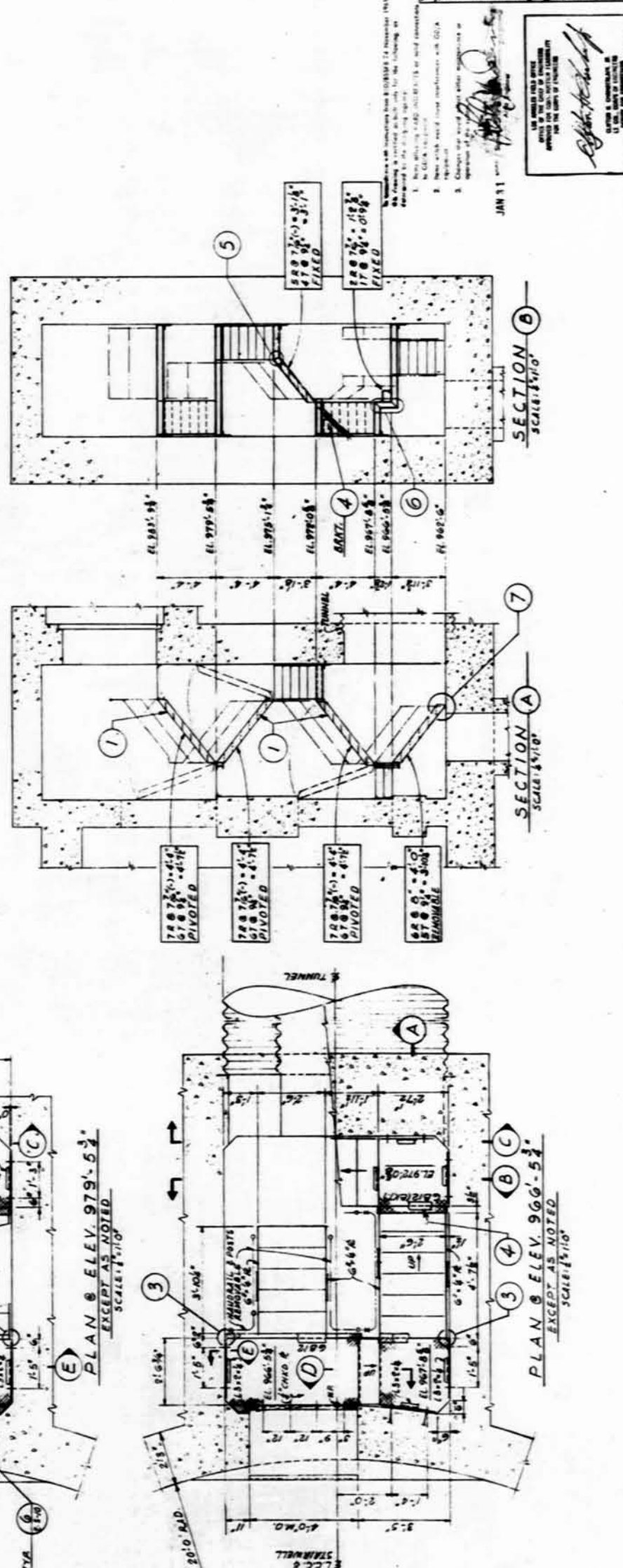
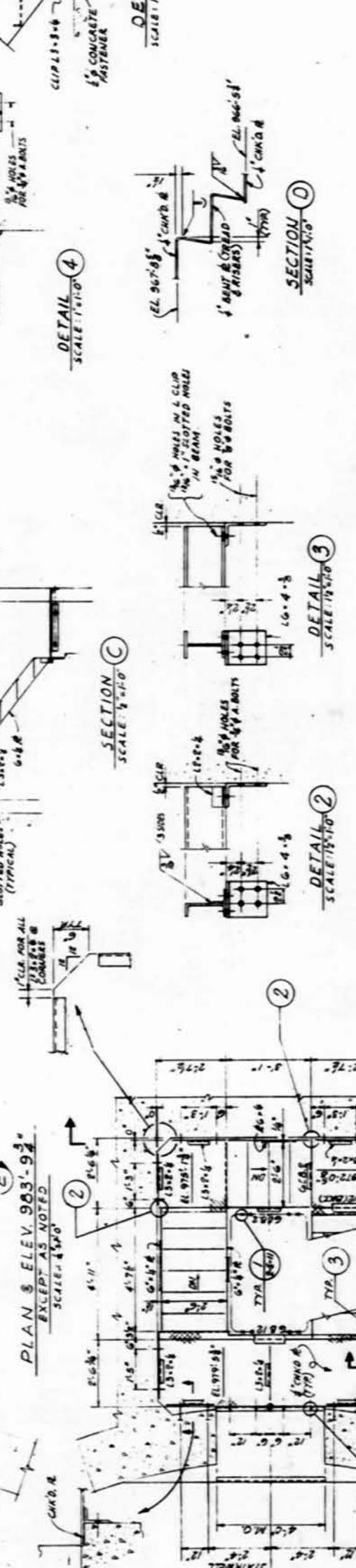
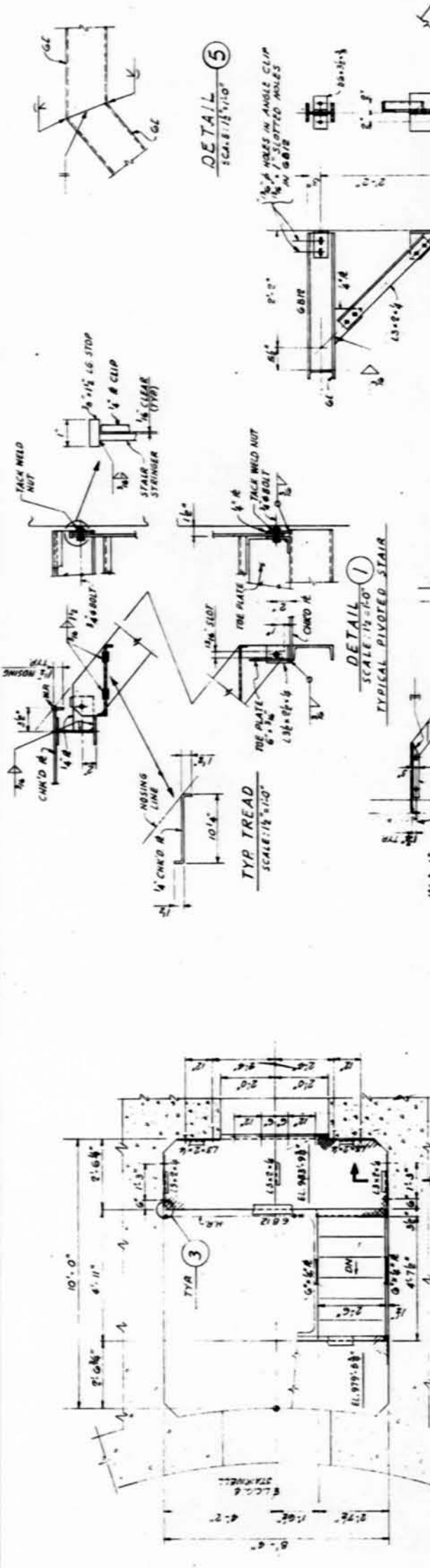
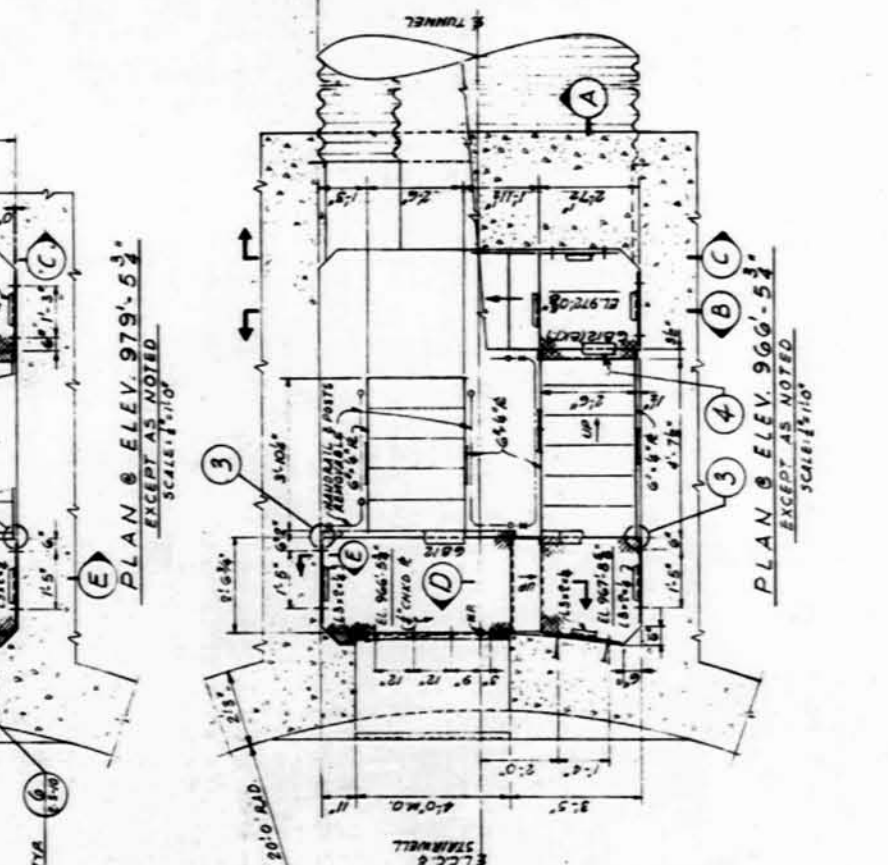
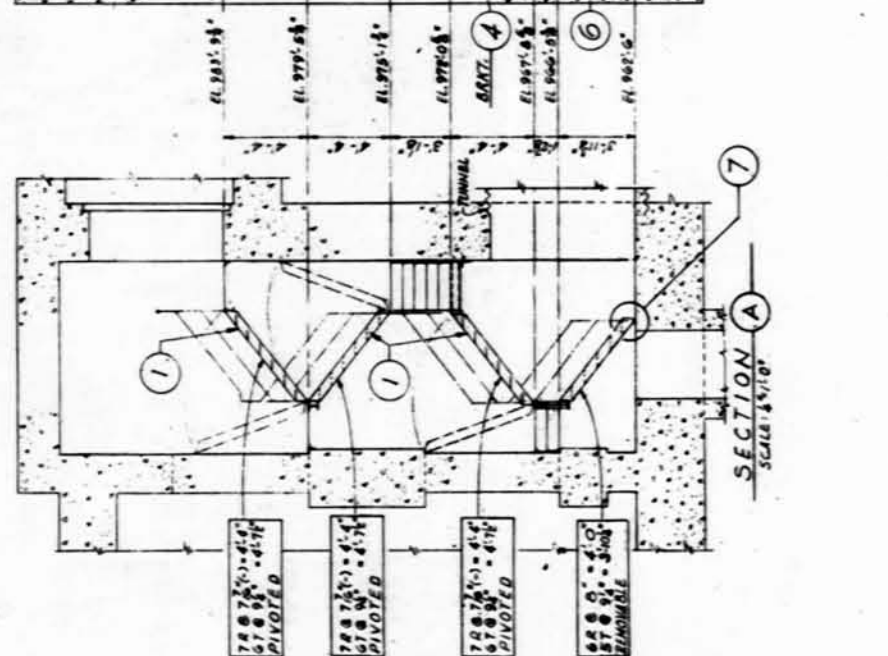
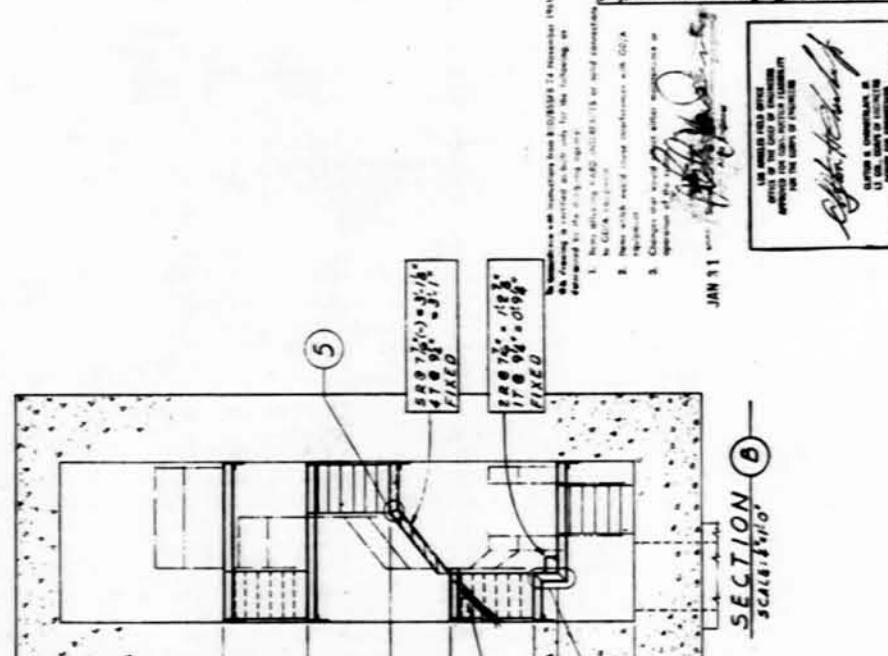
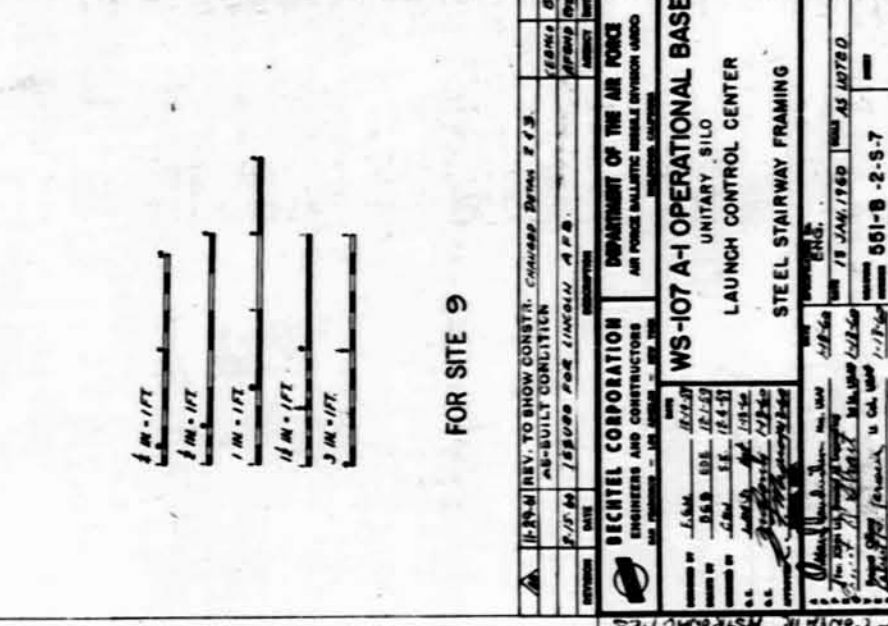
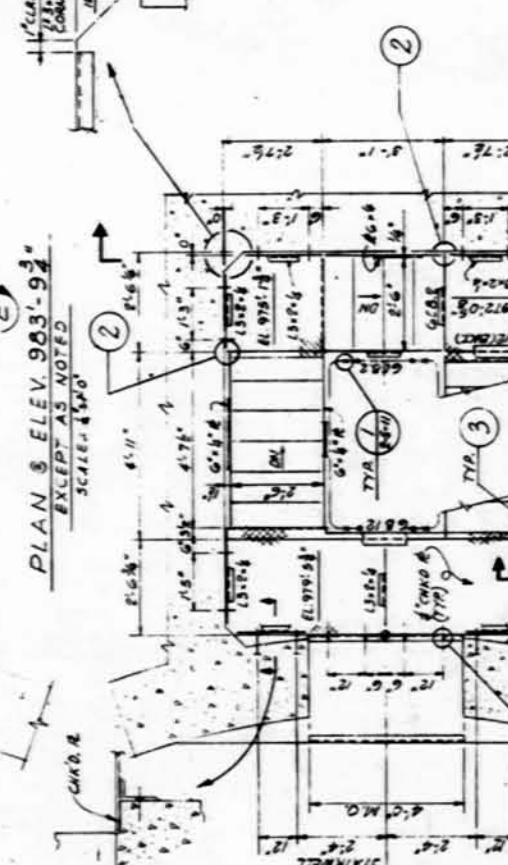
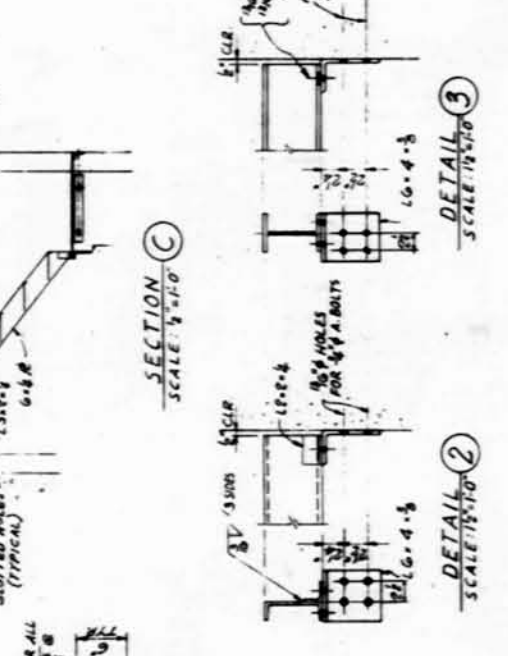
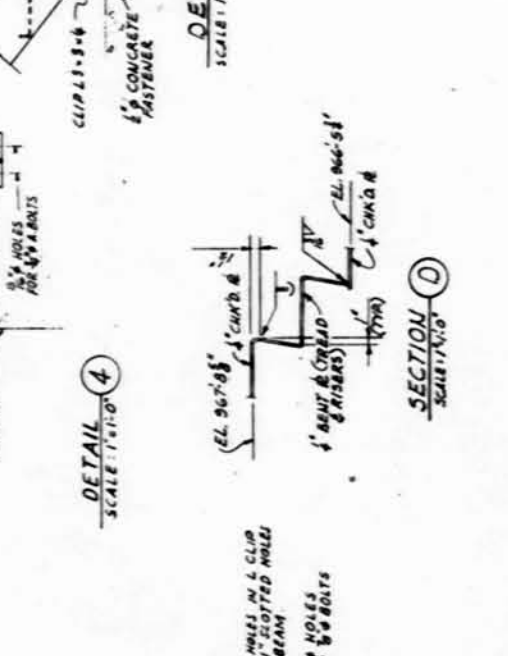
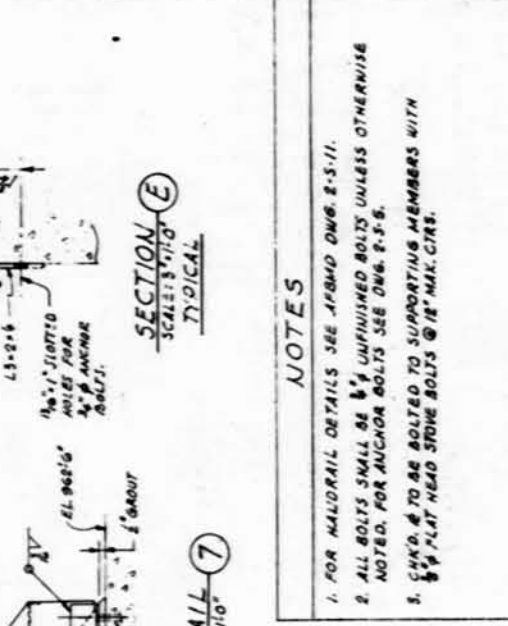
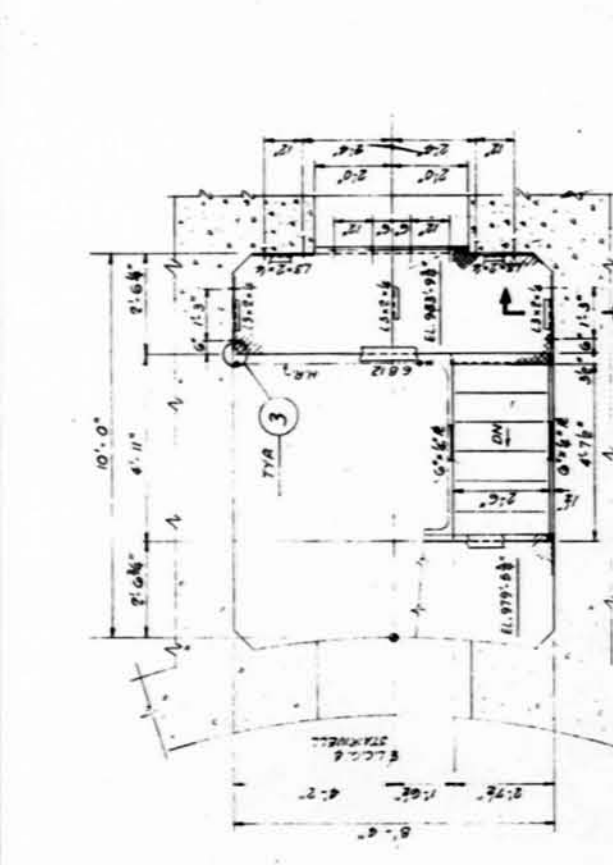
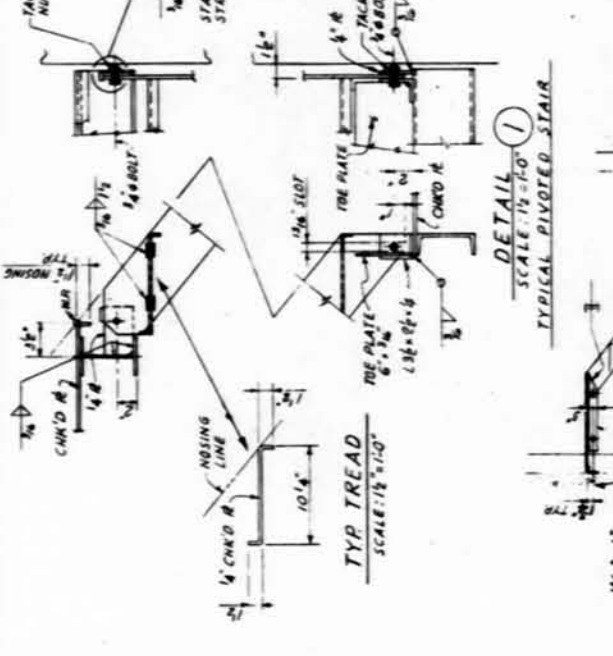
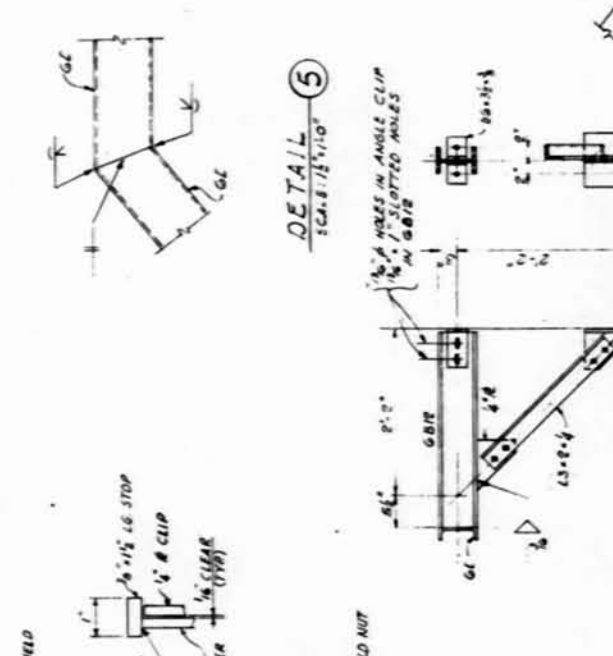
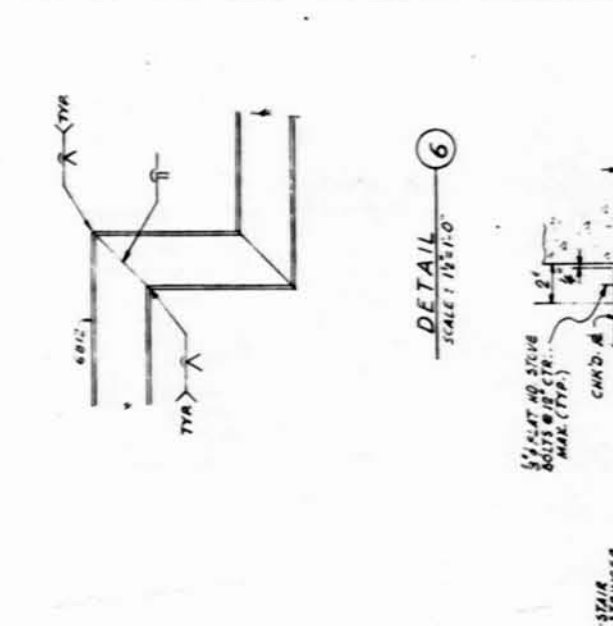
BECTEL CORPORATION
 ENGINEERS AND ARCHITECTS

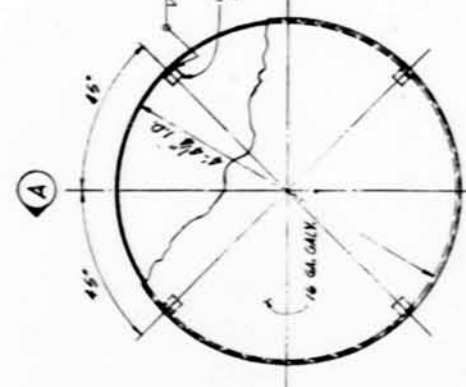
DEPARTMENT OF THE AIR FORCE
 AIR FORCE BALLISTIC MISSILE DIVISION ANDO

WS-107 A-1 OPERATIONAL BASE
 LAUNCH CONTROL CENTER

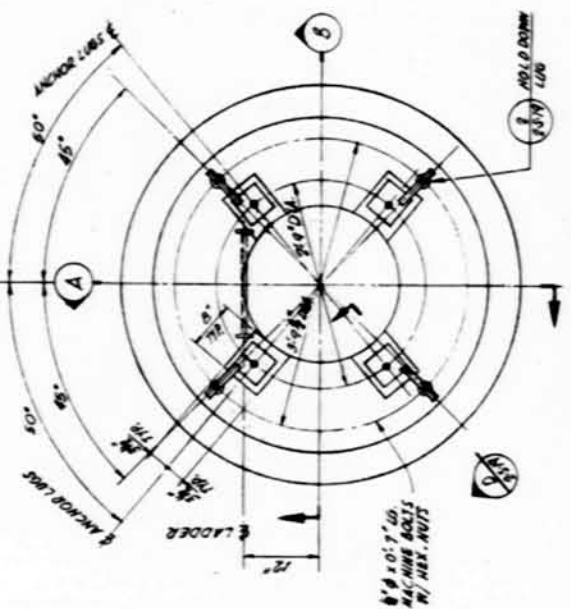
ELECT. POWER PLAN

ENG. 25-066-60-52
 19 SEP 1960
 551-B-2-E-2

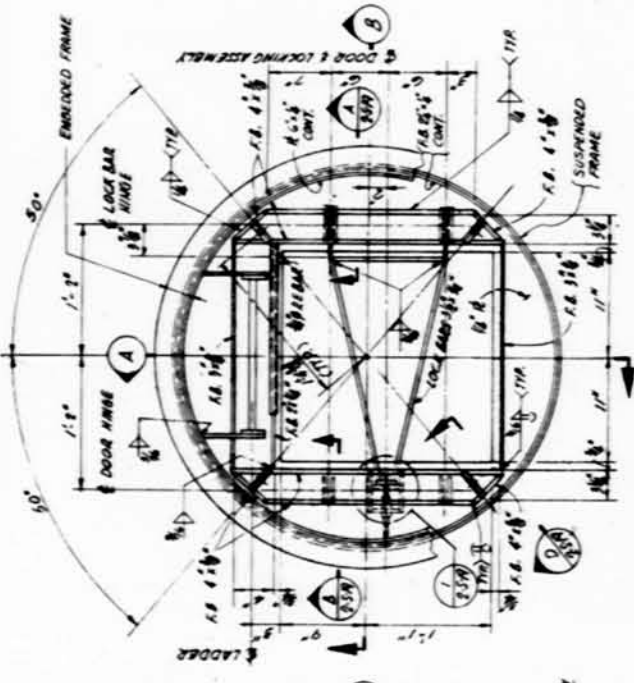




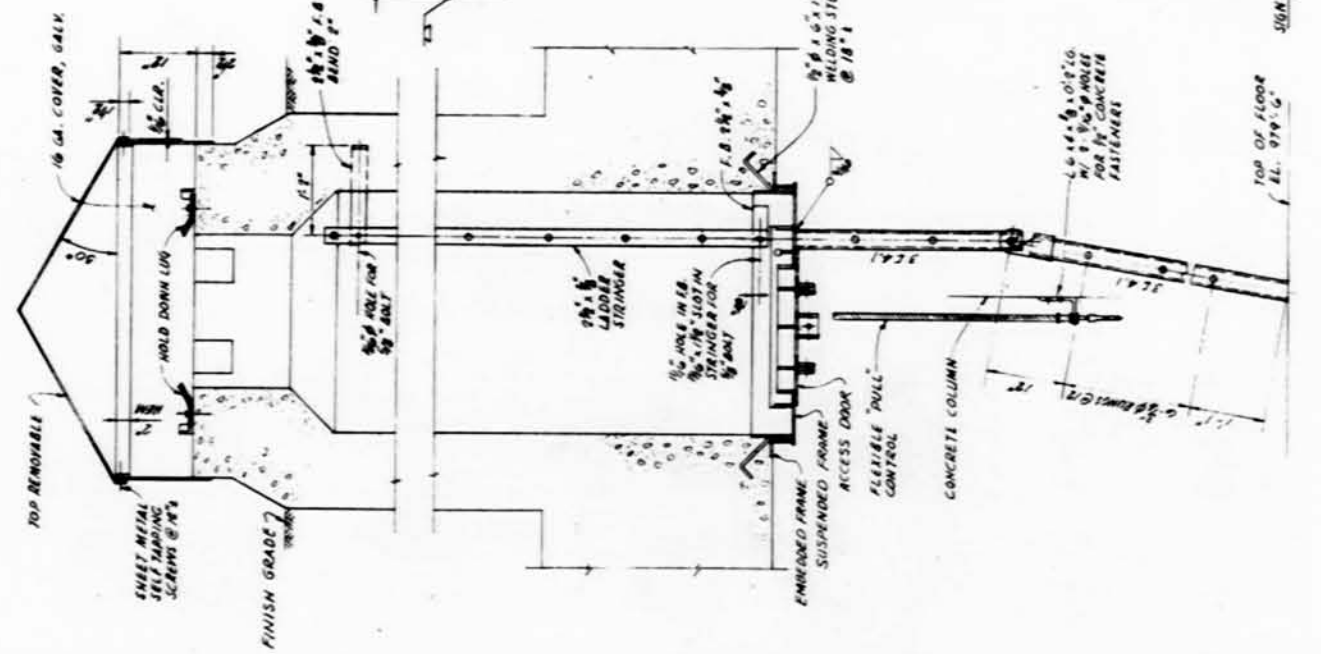
PLAN - ESCAPE HATCH COVER
SCALE: 1/4" = 1'-0"



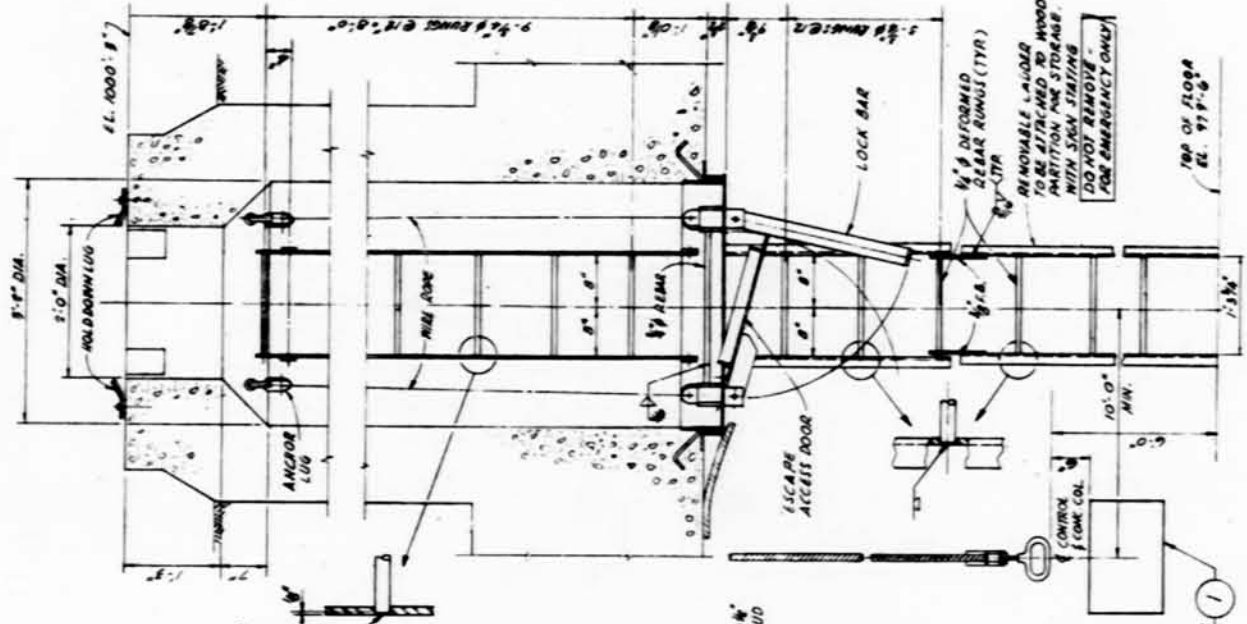
PLAN - ESCAPE HATCH OPENING
SCALE: 1/4" = 1'-0"



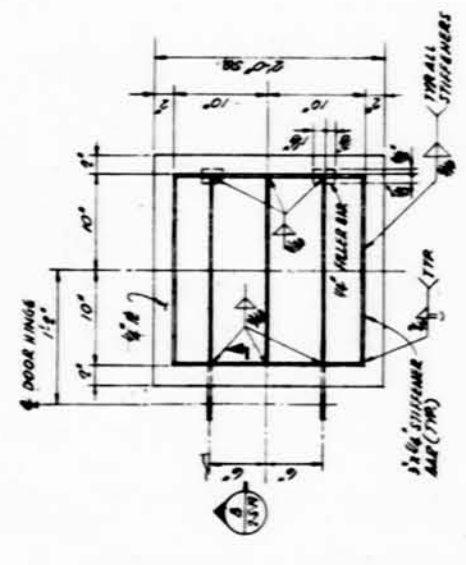
PLAN - ACCESS DOOR FRAME
SCALE: 1/8" = 1'-0"



SECTION A
SCALE: 1/4" = 1'-0"



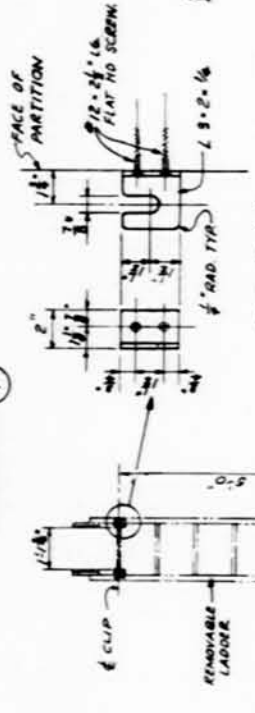
SECTION B
SCALE: 1/4" = 1'-0"



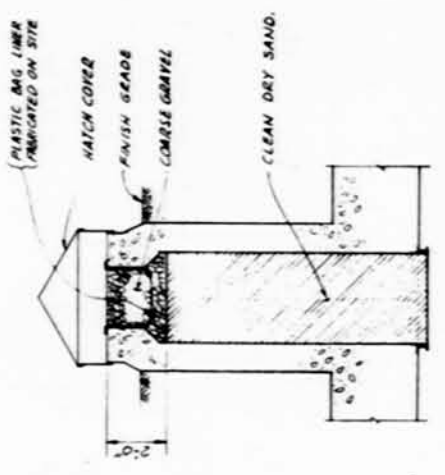
PLAN - ACCESS DOOR
SCALE: 1/8" = 1'-0"

FOR EMERGENCY
ESCAPE ONLY
RELEASES FOUR TONS OF
SAND WHEN OPENED

SIGN DETAIL 1



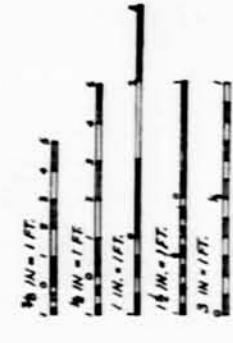
DETAIL 2
SCALE: 3/8" = 1'-0"



BACK FILL DETAIL
SCALE: 1/4" = 1'-0"

NOTES

1. ALL MATERIAL SHALL BE GRIMMED AFTER FABRICATION EXCEPT THE "PESIBLE PULL" CONTROL AND THE WIRE ROPE.
2. WIRE ROPE TO HAVE A METAL AREA OF .199 SQ. IN. AND A MODULUS OF ELASTICITY OF 10,000,000 PSI.
3. FOR LOCATION AND ORIENTATION SEE DWG. 2-3-1. FOR REINFORCING AND COMPLETE DETAILS, SEE DWG. 2-3-4. FOR DETAILS NOT SHOWN, SEE DWG. 2-3-19.



FOR SITES 1 2 3 4 5 6 7 8 9 10 11 12

REVISION	DATE	BY	DESCRIPTION
1	2-13-66	AS-BUILT CONDITION	

REV. TO SHOW CORRECT. AS-BUILT CONDITION. ISSUED FOR LINCOLN AFB.

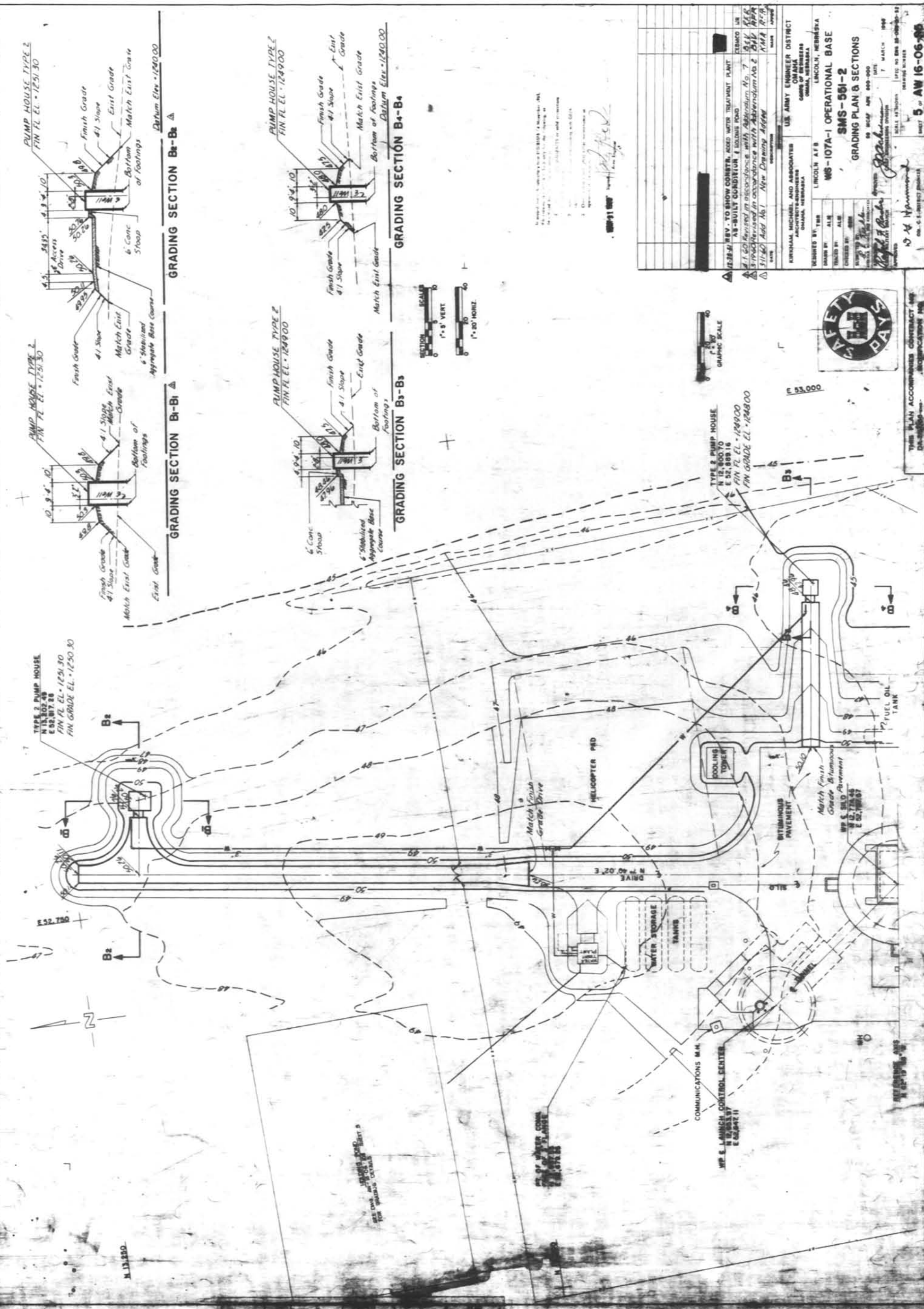
RECEIVED BY: J.E.S. DATE: 12-21-66
 CHECKED BY: J.E.S. DATE: 12-21-66
 DRAWN BY: J.E.S. DATE: 12-21-66

DEPARTMENT OF THE AIR FORCE
 AIR FORCE BALLISTIC MISSILE DIVISION (ARMO)
 MISSILE DIVISION

WS-107 A-1 OPERATIONAL BASE
 UNITARY SILO
 LAUNCH CONTROL CENTER

ESCAPE HATCH DETAILS - SMT. 1

DATE: 18 JAN 1960
 DRAWN: NOTED
 CHECKED: NOTED
 PROJECT: 591-B-2-S-9



TYPE 2 PUMP HOUSE
N 13,302.49
E 52,817.28
FIN GRADE EL. 1250.30

PUMP HOUSE TYPE 2
FIN FL EL. 1251.30

PUMP HOUSE TYPE 2
FIN FL EL. 1251.30

PUMP HOUSE TYPE 2
FIN FL EL. 1249.00

PUMP HOUSE TYPE 2
FIN FL EL. 1249.00

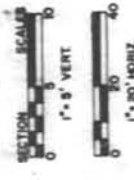
TYPE 2 PUMP HOUSE
N 12,800.70
E 52,888.16
FIN FL EL. 1249.00
FIN GRADE EL. 1248.00

GRADING SECTION B1-B1 Δ

GRADING SECTION B2-B2 Δ

GRADING SECTION B3-B3

GRADING SECTION B4-B4



1. THIS PLAN IS TO BE CONSIDERED A PRELIMINARY PLAN.
2. THE CONTRACTOR SHALL BE RESPONSIBLE FOR OBTAINING ALL NECESSARY PERMITS AND APPROVALS.
3. THE CONTRACTOR SHALL BE RESPONSIBLE FOR OBTAINING ALL NECESSARY PERMITS AND APPROVALS.

100-91 007



E 53,000

US ARMY ENGINEER DISTRICT KIRKMAN, MICHAEL AND ASSOCIATES ARCHITECTS-ENGINEERS OMAHA, NEBRASKA	
WENTHURTS BY THE LINCOLN AFB MS-107A-1 OPERATIONAL BASE SMS-551-2 GRADING PLAN & SECTIONS	
DRAWN BY: ALE CHECKED BY: [Signature] DATE: 17 MARCH 1949	SHEET NO. 5 OF 5 SHEET 5 OF AW 16-06-93

THIS PLAN ACCOMPANIES CONTRACT NO. [Number] AND SPECIFICATIONS NO. [Number]

